

SENZ[®]

GERMANY

COOKING IN STYLE



MULTIOVEN



COOKER HOOD



ELECTRIC HOB

SMART KITCHEN APPLIANCES

DESIGNED FOR THE NEXT GENERATION



GAS HOB



CHILLER



WATER HEATER



Behind 1,500+ 5-Star Reviews
is 17 Years of Listening

TOTAL REVIEW UP TO
1500+

SENZ MALAYSIA'S NO 1 KITCHEN APPLIANCES BRAND
WITH THE MOST 5 STARS GOOGLE REVIEWS

At **SENZ**, we believe a kitchen appliance is not just a piece of technology — it's a part of your everyday life. From the very first satisfied customer to now over 1,500+ 5-Stars Google Reviews, we've never forgotten one simple truth:

- Listening to our customers is more important than just adding features
- Solving real kitchen problems matters more than flashy advertising

This trust wasn't built overnight.

It comes from our unwavering commitment to things that matter:

Every after-sales call we return within 3 hours:

- Every product designed for both young families and elderly users.
- Every detail — from our auto-clean cooker hoods, to intelSync technology, to anti-dry burning technology.
- Even taking the time to provide tutorial video to all our products for customer who need help learning how to use their appliances:

“ Their customer service was so patient — even my parents learned how to use it. ”

“ They have their own expert in-house technician — smooth and professional from start to finish. ”

“ Stylish, quiet, and hassle-free — absolutely no regrets. ”

These aren't our words. They're the voices of over 1,500+ real customers who trusted us and spoke up.

Today, **SENZ** is more than just a kitchen appliance brand. We're a smart kitchen appliances for the next generation — and the brand people feel confident recommending to their family and friends.

**WE'LL NEVER STOP INNOVATING.
BUT MORE IMPORTANTLY, WE'LL NEVER STOP LISTENING TO YOU.
THAT IS — AND ALWAYS WILL BE — OUR CORE PROMISE.**

CSR PROGRAM - SPONSOR OF THE APPLIANCES INITIATIVE



At **SENZ**, we believe in giving back to society and nurturing future generations. With great pride, we announce our contribution of premium kitchen appliances to schools in need through our CSR initiative — empowering young chefs to shape a brighter tomorrow.



PREMIUM
Collection



BRINGING FRESH AIR INTO YOUR KITCHEN

Effectively clears cooking smoke while purifying indoor air.

Smart AiGuard Air sensing, give you fresh air always real-time monitoring, ensuring continuously fresh air.

Monitors up to 20 pollutants, including formaldehyde and VOCs, and removes them in real time. AiGuard automatically detects and improves kitchen air quality using a VOC sensor.

Automatic Exhaust Adjustment

Excellent: < 6

Good: 6 ~ 15

Moderate: 15 ~ 55

Poor: > 55

17MM ULTRA-SLIM

Featuring an ultra-slim body design with a thinnest point of just 17 mm, it redefines slimness and maximizes space efficiency in your kitchen.

Ultra-Slim Design

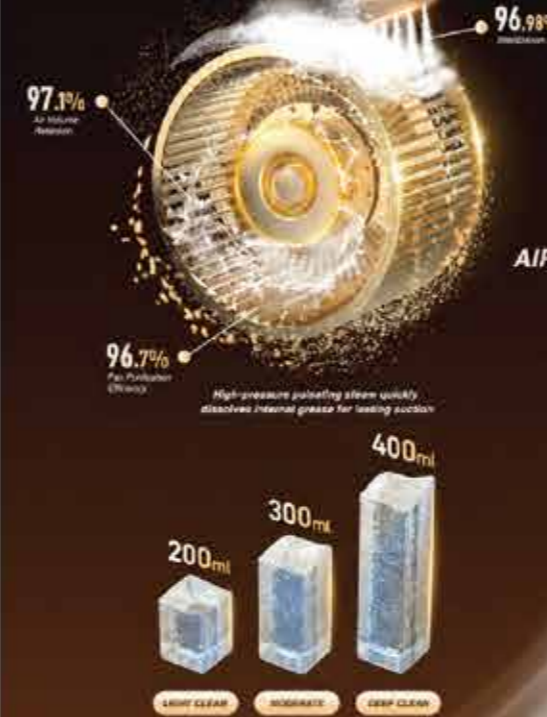
- ✓ No bumping of head against hood body
- ✓ Maximizes kitchen space
- ✓ Easy to clean
- ✓ Sleek and modern

17mm

ESSLA

AiGuard Ultra Slim Cooker Hood with Air Purifier Function

PREMIUM X Collection AiGuard



45dB Low Noise Operation

AIR Purifier Function

AI Grease
Detect the level of Grease and adjust its suction power accordingly

17MM ULTRA-SLIM
With an ultra-slim body design with a thinnest point of just 17 mm

AiGuard Function
Monitor kitchen air quality in real time and optimizes it

3500 m³/h

PREMIUM X NEW ESSLA AiGuard Ultra Slim Cooker Hood with Air Purifier Function Retail Price: EM: RM5,299 WM: RM5,099 Model No: SZ-CH9396DC



Key Features

- Angled Design with Grey Nano Coating Glass
- Ultra-Slim Design
- Smart AiGuard Technology
- Smart AiGuard Air Sensing
- AI-Powered Efficiency
- AI Grease Smart Function
- 3500 m³/h Suction Power + Turbo Boost
- Motion Sensor Technology
- Ultra-Quiet Operation
- Dual Auto Cleaning Function

Additional Practical Features

- BLDC Motor – with up to 2100Pa
- Hidden Oil Cup & Water Container
- LED lighting
- Stylish Color Display Panel

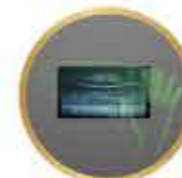
Installation Accessories Included

- 2 pcs Metal Chimney Cover
- Stainless Steel Wall Cap
- 3 meters Aluminum Hose (hose dimension: 190mm (7.5"))
- Ducting/Coring Size: 180mm = 7 inches (includes connector to adapt from 200mm to 150mm for easy installation)

Recommended Installation Height

- From bottom of hood to your counter top – For Electric Hob / Gas Hob: 300mm – 450mm

Plug Used



Motion Sensor Technology



AI Grease Smart Function



BLDC Motor With Up to 2100Pa



Noise Level as low as 45dB



Smart AiGuard Technology



Heat + Steam Auto Cleaning

ULTRA-SLIM DESIGN MORE KITCHEN SPACE

With an ultra-slim body and sleek appearance, it breaks the limits of traditional kitchen layouts, saving more usable space.



Ultra-Slim Design

- ✓ No bumping of head against hood body
- ✓ Maximizes kitchen space
- ✓ Easy to clean
- ✓ Sleek and modern



Ultra Slim

POWERFUL BOOSTED AIGREASE FUNCTION

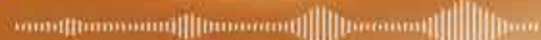
delivers high-pressure airflow for stronger suction, steadier performance, and quieter cooking



2100Pa

45DB LOW Noise Operation

Efficient and Quiet Grease Extraction



20db Nearly Inaudible 35db Whisper Level 45db Quiet Performance 65db Normal Conversation

INOVA

AIGuard Ultra Slim Cooker Hood with Air Purifier Function

PREMIUM X Collection **AIGuard** Series



45dB Low Noise Operation

AIR Purifier Function

AI Grease Detect the level of Grease and adjust its suction power accordingly

ULTRA-SLIM With an ultra-slim body and sleek appearance

AIGuard Function Monitor kitchen air quality in real time and optimize it

HEAT AUTO CLEANING

Just one touch to removes stubborn grease, and keeping hood with strong suction power and prolong hood lifespan.

STEP 1

12 Mins

High temperature heat cleaning

STEP 2

3 Mins

High speed spinning to remove the grease

3300 m³/h

PREMIUM X NEW

INOVA AIGuard Ultra Slim Cooker Hood with Air Purifier Function Retail Price: EM: RM4,299 WM: RM4,099

Model No: SZ-CH9898DC



Recirculating System

Key Features

- Angled Design with Gray Nano Coating Glass
- Ultra-Slim & Sleek Body Design
- Smart AIGuard Technology
- Smart AIGuard Air Sensing
- AI-Powered Efficiency
- AI Grease Smart Function
- 3300 m³/h Suction Power + Turbo Boost
- Motion Sensor Technology
- Ultra-Quiet Operation
- Heat Auto Cleaning Function

Additional Practical Features

- BLDC Motor – with up to 2100Pa
- 5x Larger Metal Oil Cup
- LED lighting
- Stylish Color Display Panel

Installation Accessories Included

- 2 pcs Metal Chimney Cover
- Stainless Steel Wall Cap
- 3 meters Aluminum Hose (hose dimension: 190mm (7.5"))
- Ducting/Coring Size: 180mm = 7 inches (includes connector to adapt from 200mm to 150mm for easy installation)

Recommended Installation Height

- From bottom of hood to your counter top
- For Electric Hob / Gas Hob: 400mm – 450mm

Optional Accessories

- Charcoal Filter

Plug Used



Motion Sensor Technology



AI Grease Smart Function



BLDC Motor With Up to 2100Pa



Noise Level as low as 45dB



Smart AI Guard Technology



Heat Auto Cleaning

What is PM2.5?

Kitchen Fumes are more dangerous than Second Smoke



Human Hair
70µm



Bacteria
3µm



PM2.5
2.5µm

Where does PM2.5 in the kitchen come from

- Stir-Frying: carbon particles, organic compounds, dust
- Oil Breakdown during Frying: release PAHs (highly carcinogenic)
- Incomplete Gas Combustion: PM2.5 + carbon monoxide
- Forgetting to turn on the Hood: keeps pollutants trapped indoors

EFFECTS OF PM2.5 ON CHILDREN WITH SENSITIVE NOSES

Young children with allergic rhinitis are especially vulnerable to indoor air pollution

Sneezing & Nasal Itching

Nasal Congestion & Runny Nose

Red & Watery eyes

CALLISTER
AiGuard Cooker Hood with Air Purifier (PM2.5) Function

PREMIUM X Collection **AiGuard** Series

45dB
Low Noise Operation

AIR Purifier
(PM2.5) Function

AI Grease
Detect the level of Grease and adjust its suction power accordingly

Angled Design
with Black Glass Finish

HEAT AUTO CLEANING
Just one touch to removes stubborn grease and keeping hood with strong suction power and prolong hood lifespan.

DYNAMIC MICRO PARTICLE CAPTURE
Real-time monitoring, instant adjustment

026 PM2.5 (µg/m³) EXCELLENT (0-99)

120 PM2.5 (µg/m³) GOOD (99-199)

200 PM2.5 (µg/m³) POOR (200-500)

3500m³/h

AiGuard Function
Monitor kitchen air quality in real time and optimize it.

PREMIUM X NEW **CALLISTER** AiGuard Cooker Hood with Air Purifier Function - Retail Price: EM: RM4,199 WM: RM3,999
Model No: SZ-CH9286DC

Recirculating System

Key Features

- Angled Design with Black Glass Finish
- Smart AiGuard Technology
- Air Purifier (PM2.5) Function
- AI-Powered Efficiency
- AI Grease Smart Function
- 3500 m³/h Suction Power + Turbo Boost
- Motion Sensor Technology
- Ultra-Quiet Operation
- Heat Auto Cleaning Function

Additional Practical Features

- BLDC Motor – with up to 1550Pa
- 5x Larger Metal Oil Cup
- LED lighting
- Stylish Color Display Panel
- Retractable Glass Panel

Installation Accessories Included

- 1 pcs Washable Metal Filter
- 2 pcs Metal Chimney Cover
- Stainless Steel Wall Cap
- 3 meters Aluminum Hose (hose dimension: 180mm (7"))
- Ducting/Coring Size: 180mm = 7 inches

Recommended Installation Height

- From bottom of hood to your counter top
- For Electric Hob: 300mm – 450mm
- For Gas Hob: 400mm – 500mm

*Minimum hood width 1005mm (left to right) required to prevent blocking the AiGuard Sensor Point.

Optional Accessories

- Charcoal Filter

Plug Used

13amp

Motion Sensor Technology

AI Grease Smart Function

BLDC Motor with up to 1550Pa

Noise Level as low as 45db

Smart Ai Guard Technology

Air Purifier Automatically activate PM2.5

Heat Auto Cleaning

Installation fees is NOT included for all the prices listed above & price is subject to change without prior notice.

Motion Sensor Technology

LED Light



ZAFFIRO

Diamond Shape intelClean™ Cooker Hood

AI
intelSync Technology

Safety Standby Time



HEAT AUTO CLEANING

- **BLDC Motor**
consumes less electricity with up to 1900pa
- **AI Grease Smart function**
Able to detect the level of grease and adjust its suction power accordingly.

Noise Level
as low as 45 db

Tempered Glass
easy for cleaning

Metal Oil Cup
is 5 times bigger than traditional size

PREMIUM X NEW ZAFFIRO DC Diamond Shape intelClean™ Cooker Hood Retail Price: EM: RM4,299 WM: RM4,099
Model No: SZ-CH9980DC



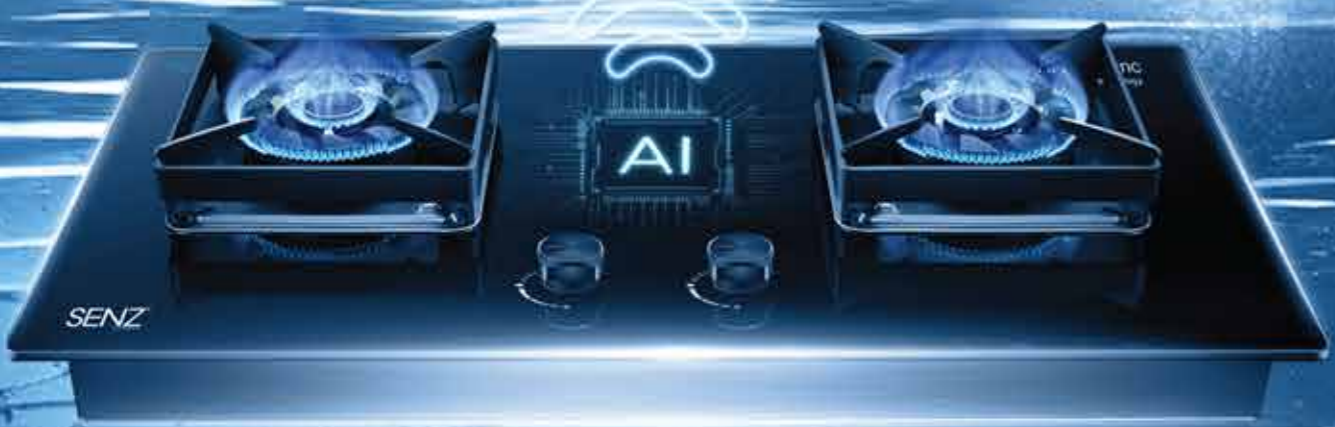
- Key Features**
- AI Grease Smart Function
 - 2000 m³/h Suction Power + Turbo Boost
 - Motion Sensor Technology
 - Ultra-Quiet Operation
 - Heat Auto Cleaning Function
 - Equip with intelSync Technology
- Additional Practical Features**
- BLDC Motor – with up to 1900Pa
 - 5x Larger Metal Oil Cup
 - LED lighting
 - Removable Magnetic Metal Filter
- Installation Accessories Included**
- 1 pcs Washable Metal Filter
 - 2 pcs Metal Chimney Cover
 - Stainless Steel Wall Cap
 - 3 meters Aluminum Hose (hose dimension: 180mm (7"))
 - Ducting/Coning Size: 150mm = 6 inches (includes connector to adapt from 180mm to 150mm for easy installation)

- Recommended Installation Height**
- From bottom of hood to your counter top
 - Electric Hob : 300 - 450mm
 - Gas Hob : 400 - 500mm
- Compatible intelSync Gas Hob Model**
- SENZ TRINITY: SZ-GS9888
 - SENZ KARINO: SZ-GS3898
- Optional Accessories**
- Charcoal Filter
- Plug Used**
- 13amp



Installation fees is NOT included for all the prices listed above. & price is subject to change without prior notice.

AI intelSync Technology



AURORA DC
Heat Pro intelClean
Cooker Hood

KARINO
Twin Burner Gas Stove
with intelSync Technology

HOOD

HOB

PREMIUM X NEW **AURORA DC** Heat Pro intelClean™ Cooker Hood Retail Price: EM: RM4,199 WM: RM3,999

Model No: SZ-CH9050AC(Auto Cleaning)



- Key Features**
- AI Grease Smart Function
 - 2200 m3/h Suction Power + Turbo Boost
 - Motion Sensor Technology
 - Ultra-Quiet Operation
 - Heat Auto Cleaning Function
 - Equip with intelSync Technology

- Additional Practical Features**
- BLDC Motor – with up to 1900Pa
 - 5x Larger Metal Oil Cup
 - LED lighting
 - Removable Metal Filter

- Installation Accessories Included**
- 1 pcs Washable Metal Filter
 - 2 pcs Metal Chimney Cover
 - Stainless Steel Wall Cap
 - 3 meters Aluminum Hose (hose dimension: 180mm (7"))
 - Ducting/Coring Size: 150mm = 6 inches (includes connector to adapt from 180mm to 150mm for easy installation)

- Recommended Installation Height**
- From bottom of hood to your counter top
 - For Electric Hob: 300mm – 450mm
 - For Gas Hob: 400mm – 500mm

- Compatible intelSync Gas Hob Model**
- SENZ KARINO: SZ-GS3898
 - SENZ TRINITY: SZ-GS9888

Optional Accessories

- Charcoal Filter

Plug Used



Motion Sensor Technology

AI Grease Smart Function

BLDC Motor with up to 1900Pa

Noise Level as low as 45dB

AI IntelSync Technology

Heat Auto Cleaning

PREMIUM X NEW **KARINO** Twin Burner Gas Stove with intelSync Technology Retail Price: EM: RM2,199 WM: RM1,999

Model No: SZ-GS3898



- Key Features**
- Equip with intelSync Technology
 - (a) Smart AI ON / OFF Function
 - (b) Smart AI Speed Adjustment
 - Square Plate Base with Integrated Wok Rack
 - 5.4kw/h Heat Intensity
 - 0-Second Ignition
 - Safety Valve
 - 10 Seconds Auto Cut-Off
 - Gloss Finishod, Heat Resistance Ceramic Glass **FUTEX**

- Additional Practical Features**
- Battery Operated Auto-Ignition
 - Exclusive SENZ Logo on Burner Cap
 - Removable Burner Cap

- Compatible intelSync Cooker Hood Model**
- SENZ AURORA: SZ-CH9050AC
 - SENZ ZAFFIRO: SZ-GH9980DC

- Installation & Compatibility**
- Gas Type – LPG
 - Gas Pressure – 2800 kPa
 - Installation Type – Free Standing or Built-In

0 Second IGNITION

FUTEX Glass

5.4 kW Heat Intensity

IntelSync Technology

Battery Ignition

Safety Valve

Tempered Glass

Premium Cast Iron

SKM Certified

CAUTION

Do not touch the burner cap when the burner is lit. The burner cap is hot and may cause burns. Please ensure that the burner cap is placed securely and evenly to prevent any gas leaks and potential fire hazards.

WARNING!!

Do not attempt to clean the burner cap with water or detergent. Use a soft cloth to clean the burner cap. Do not use abrasive cleaners or scouring pads on the burner cap.

WARNING!!

Do not attempt to clean the burner cap with water or detergent. Use a soft cloth to clean the burner cap. Do not use abrasive cleaners or scouring pads on the burner cap.

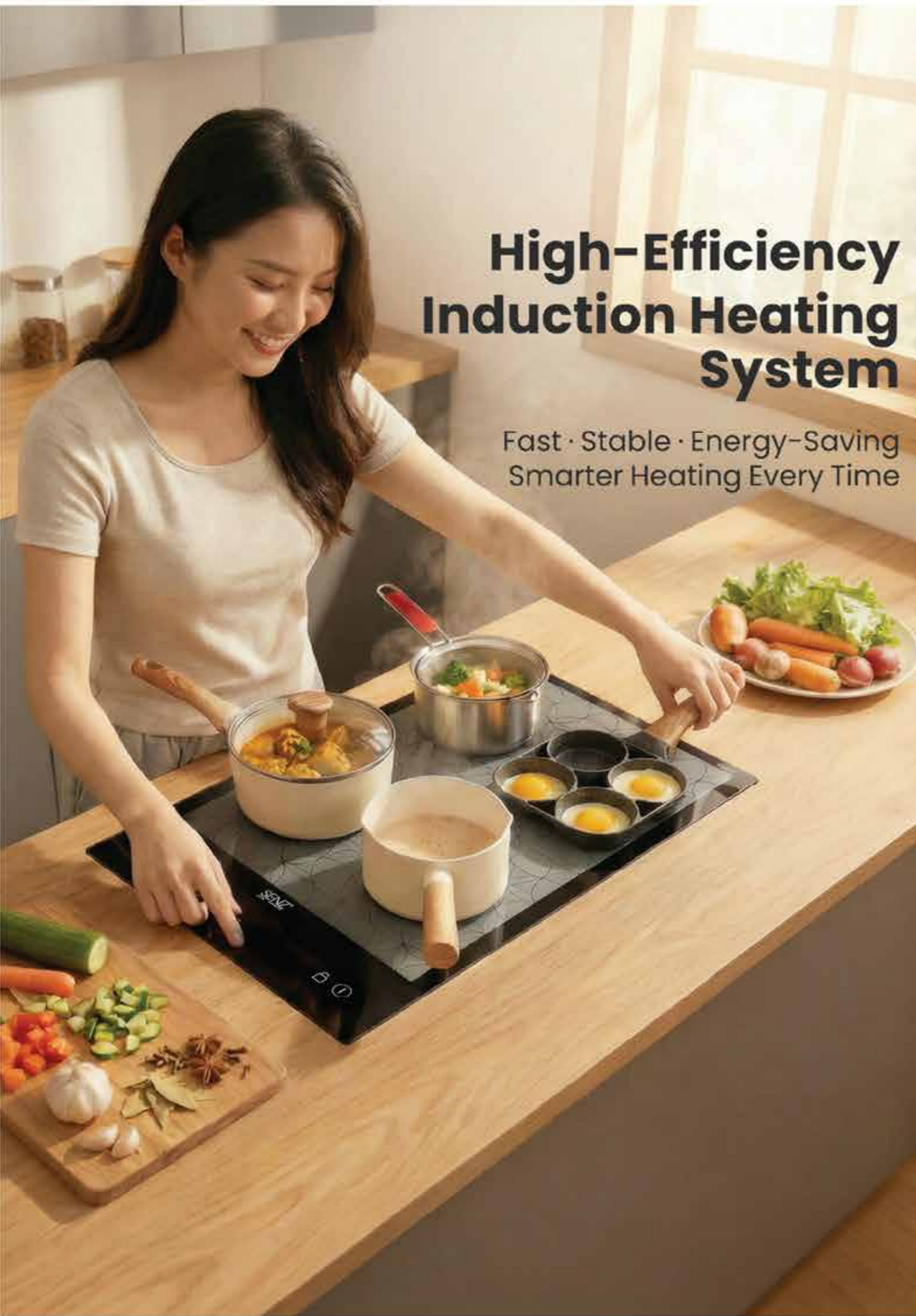
Exclusive SENZ Logo on Burner Cap

FUTEX Glass Heat Resistance Tempered Glass

AI IntelSync Technology

CAUTION: Please ensure that the burner cap is placed securely and evenly to prevent any gas leaks and potential fire hazards.

Installation fees is NOT included for all the prices listed above & price is subject to change without prior notice.



High-Efficiency Induction Heating System

Fast · Stable · Energy-Saving
Smarter Heating Every Time

Model No: SZ- DI798-M



Key Features

- Vertical Design
- Matte Finished, Heat Resistance Ceramic Glass
- InfinityZone Heating Design - Flexible induction cooking zone
- 4400W Power Output
- Sleek Touch Control with LED Display
- Pattern-Finished Glass
- 24 Hours Timer Function
- 120 Minutes Auto Cut-Off
- Electronic Overheating Protection

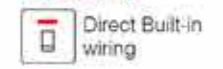
Additional Practical Features

- Auto Adjusts its Power Consumption based on the size of your cookware
- Child Safety Lock

Installation & Compatibility

- Power Supply - 220 - 240V ~ 50Hz
- Standby Electricity - 2W
- Installation Type - Free Standing or Built-In

Plug Used:



Suitable for these cookware



Pattern-Finished Surface



Infinity Cooking Zone Heat Technology



1st Infinity Zone Induction Cooker in Malaysia

Model No: SZ- DI798-G



Key Features

- Vertical Design
- Gloss Finished, Heat Resistance Ceramic Glass
- InfinityZone Heating Design - Flexible induction cooking zone
- 4400W Power Output
- Sleek Touch Control with LED Display
- Gloss-Finished Glass
- 24 Hours Timer Function
- 120 Minutes Auto Cut-Off
- Electronic Overheating Protection

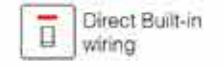
Additional Practical Features

- Auto Adjusts its Power Consumption based on the size of your cookware
- Child Safety Lock

Installation & Compatibility

- Power Supply - 220 - 240V ~ 50Hz
- Standby Electricity - 2W
- Installation Type - Free Standing or Built-In

Plug Used:



Suitable for these cookware



Infinity Cooking Zone Heat Technology



1st Infinity Zone Induction Cooker in Malaysia



*The anti-drying technology is only available for left burner

Remarks: This model is equipped with anti-dry burning technology to enhance safety measures. It activates automatically when temperatures reach 290°C or higher to prevent overheating and potential accidents. Thus constant deep frying in high temperature might activate anti-drying technology as a safety measure that you may take into consideration. Due to the unique heat concentration properties of claypots, they may trigger this automatic turn off gas function. Therefore, we do not recommend using claypot and ceramic cookware on the burner that equipped with Anti-Drying Technology.

- Special Windshield Energy Saving Wok Rack
- Futex Glass Heat Resistance Tempered Glass
- Timer Up to 180 Minutes
- Anti-Dry Burning Technology
- Nano Coating

CAUTION: Please ensure that the burner cap is placed securely and evenly to prevent any gas leaks and potential fire hazards.



*The anti-drying technology is only available for left burner

Remarks: This model is equipped with anti-dry burning technology to enhance safety measures. It activates automatically when temperatures reach 290°C or higher to prevent overheating and potential accidents. Thus constant deep frying in high temperature might activate anti-drying technology as a safety measure that you may take into consideration. Due to the unique heat concentration properties of claypots, they may trigger this automatic turn off gas function. Therefore, we do not recommend using claypot and ceramic cookware on the burner that equipped with Anti-Drying Technology.

- Special Windshield Energy Saving Wok Rack
- Futex Glass Heat Resistance Tempered Glass
- Timer Up to 180 Minutes
- Anti-Dry Burning Technology
- Nano Coating

CAUTION: Please ensure that the burner cap is placed securely and evenly to prevent any gas leaks and potential fire hazards.

Key Features

- Anti-Dry Burning Technology
- 30% Wider Burner Distance
- 180 Minutes Timer Function
- 5.3kw/h Heat Intensity
- 0-Second Ignition
- Safety Valve
- 10 Seconds Auto Cut-Off
- NANO Coating, Heat Resistance Ceramic Glass

Additional Practical Features

- Battery Operated Auto-Ignition
- Flexible Base Design
- Removable Burner Cap
- Special Windshield Wok Rack

Installation & Compatibility

- Gas Type – LPG
- Gas Pressure – 2800 kPa
- Installation Type – Free Standing or Built-In

CAUTION: Do not use this stove for cooking unless the burner cap is placed correctly. Do not use this stove for cooking unless the burner cap is placed correctly.

CAUTION: USE ONLY LOW PRESSURE REGULATOR FOR THIS APPLIANCE

WARNING!! Do not attempt to adjust the pressure of the gas regulator. Do not use this stove for cooking unless the burner cap is placed correctly.

WARNING!! All left burner or directly for the burner. Do not use this stove for cooking unless the burner cap is placed correctly.



*The anti-drying technology is only available for left burner

Remarks: This model is equipped with anti-dry burning technology to enhance safety measures. It activates automatically when temperatures reach 290°C or higher to prevent overheating and potential accidents. Thus constant deep frying in high temperature might activate anti-drying technology as a safety measure that you may take into consideration. Due to the unique heat concentration properties of claypots, they may trigger this automatic turn off gas function. Therefore, we do not recommend using claypot and ceramic cookware on the burner that equipped with Anti-Drying Technology.

- Special Stainless Steel Frame
- Futex Glass Heat Resistance Tempered Glass
- AI IntelSync Technology
- Timer Up to 99 Minutes
- Sealed Burner
- Exclusive SENZ Logo on Burner Cap

CAUTION: Please ensure that the burner cap is placed securely and evenly to prevent any gas leaks and potential fire hazards.



*The anti-drying technology is only available for left burner

Remarks: This model is equipped with anti-dry burning technology to enhance safety measures. It activates automatically when temperatures reach 290°C or higher to prevent overheating and potential accidents. Thus constant deep frying in high temperature might activate anti-drying technology as a safety measure that you may take into consideration. Due to the unique heat concentration properties of claypots, they may trigger this automatic turn off gas function. Therefore, we do not recommend using claypot and ceramic cookware on the burner that equipped with Anti-Drying Technology.

- Matte-Finished Surface

CAUTION: Please ensure that the burner cap is placed securely and evenly to prevent any gas leaks and potential fire hazards.

Key Features

- Equip with intelSync Technology – Smart AI ON / OFF Function
- Special Stainless Steel Frame
- 99 Minutes Timer Function
- 5.3kw/h Heat Intensity
- 0-Second Ignition
- Safety Valve
- 10 Seconds Auto Cut-Off
- Gloss Finished, Heat Resistance Ceramic Glass

Additional Practical Features

- Battery Operated Auto-Ignition
- Exclusive SENZ Logo on Burner Cap
- Removable Burner Cap
- Sealed Burner Design

Compatible intelSync Cooker Hood Model

- SENZ ZAFFIRO: SZ-CH9980DC
- SENZ AURORA: SZ-CH9050AC

Installation & Compatibility

- Gas Type – LPG
- Gas Pressure – 2900 kPa
- Installation Type – Free Standing or Built-In

CAUTION: Do not use this stove for cooking unless the burner cap is placed correctly. Do not use this stove for cooking unless the burner cap is placed correctly.

CAUTION: USE ONLY LOW PRESSURE REGULATOR FOR THIS APPLIANCE

WARNING!! Do not attempt to adjust the pressure of the gas regulator. Do not use this stove for cooking unless the burner cap is placed correctly.

WARNING!! All left burner or directly for the burner. Do not use this stove for cooking unless the burner cap is placed correctly.

Key Features

- Matte Finished, Heat Resistance Ceramic Glass
- Triple Heating Zone
- 4000W Power Output - 3200W (Power Sharing - Left & Right) + 800W (Middle)
- Heating Element
- Wattage-Based Heat Adjustment
- Sleek Touch Control with LED Display
- Matte-Finished Glass
- 24 Hours Timer Function
- 60 Minutes Auto Cut-Off
- Electronic Overheating Protection

Additional Practical Features

- Cooking Functions
- High Power Output
- Energy Efficient
- Child Safety Lock

Installation & Compatibility

- Glass Size – 860mm (W) x 450mm (L)
- Built-In Hole Dimension – 840mm (W) x 435mm (L)
- Power Supply – 220 – 240V – 50Hz / 60Hz
- Standby Electricity – 2W
- Installation Type – Free Standing or Built-In

Plug Used:



Suit for all cookware materials





Key Features

- Dual Heating Zone – Induction (L) + Ceramic (R)
- Tri-Zones Ceramic Heating
- 4600W Power Output
- 13 Heat Levels Adjustment
- Sleek Touch Control with LED Display
- Matte-Finished Glass
- 24 Hours Timer Function
- 12 Hours Preset Timer Function
- 60 Minutes Auto Cut-Off
- Electronic Overheating Protection

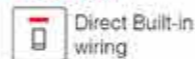
Additional Practical Features

- Special Rose Gold Frame
- Cooking Functions
- High Power Output
- Energy Efficient
- Child Safety Lock

Installation & Compatibility

- Glass Size – 750mm (W) x 420mm (L)
- Built-In Hole Dimension – 730mm (W) x 400mm (L)
- Power Supply – 220 – 240V – 50Hz
- Standby Electricity – 2W
- Installation Type – Free Standing or Built-In

Plug Used:



Suit for all cookware materials



Key Features

- Gloss Finished, Heat Resistance Ceramic Glass
- Dual Heating Zone
- 4400W Power Output
- Heating Element
- 12 Heat Levels Adjustment
- Sleek Invisible Touch Control with LED Display
- Gloss-Finished Glass
- 24 Hours Timer Function
- 60 Minutes Auto Cut-Off
- Electronic Overheating Protection

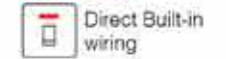
Additional Practical Features

- Special Rose Gold Frame
- Cooking Functions
- High Power Output
- Energy Efficient
- Child Safety Lock

Installation & Compatibility

- Glass Size – 765mm (W) x 435mm (L)
- Built-In Hole Dimension – 730mm (W) x 400mm (L)
- Power Supply : 220 – 240V – 50Hz / 60Hz
- Standby Electricity : 4W
- Installation Type – Free Standing or Built-In

Plug Used:



Suit for all cookware materials



Key Features

- Dual Heating Zone – Induction (L) + Ceramic (R)
- Tri-Zones Ceramic Heating
- 4600W Power Output
- 13 Heat Levels Adjustment
- Sleek Touch Control with LED Display
- Matte-Finished Glass
- 24 Hours Timer Function
- 12 Hours Preset Timer Function
- 60 Minutes Auto Cut-Off
- Electronic Overheating Protection

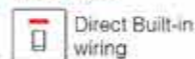
Additional Practical Features

- Cooking Functions
- High Power Output
- Energy Efficient
- Child Safety Lock

Installation & Compatibility

- Glass Size – 750mm (W) x 420mm (L)
- Built-In Hole Dimension – 730mm (W) x 400mm (L)
- Power Supply – 220 – 240V – 50Hz
- Standby Electricity – 2W
- Installation Type – Free Standing or Built-In

Plug Used:



Suit for all cookware materials



Highlights:

- All in 1 Functions – Steam, Bake (8 baking modes), Air-Fry, Steam + Grill
- 70 Litres Capacity
- 108 Preset Auto Menu
- 24 Hours Digital Time Display

All in 1 functions

- Fermentation
- Disinfection Mode
- Keep Warm Function
- Steam Auto Cleaning Function
- Drying
- Defrost

Additional Practical Features

- Triple Glazed Removable Tempered Glass
- Removable Door
- Removable Inner Rack
- 1000ml Capacity External Water Container
- Child Safety Lock

Installation & Compatibility

- Voltage/Frequency – 230V/50Hz
- Power Consumption – 3000W
- Interior Material – Iron Coating Enamel
- Installation Type – Built-In

Accessories Included:

- Baking Tray x1
- Drip Tray x1
- Air Fry Basket x 1
- Inner Rack x2

Plug Used:



Remarks: There will be a variance of +20°C from the temperature set during operation.
*Purchase with purchase (PWP) is applicable with purchase of Multihood + Multicooker package only



RETRO MULTI-FUNCTIONAL CHILLER



PREMIUM X NEW BC1008 Retro Multi-Functional Chiller Retail Price: EM: RM2,899 WM: RM2,699
 Model No: SZ-BC1008



Highlights:

- 4 Stylish Color
- 85 Litres Capacity
- Free Standing Design
- Temperature Range - 2°C - 20°C
- Low-E Glass Door
- Electronic Touchpad Control
- LED Display Light

Additional Practical Features

- Retro Style Curve Handle
- Removable Shelf
- Child Safety Lock

Installation & Compatibility

- Power Consumption - 220V-240V-50Hz
- Operation Frequency - 60W
- Product Dimension - 480mm (W) x 440mm (L) x 880mm (H)
- Interior Material - HIPS
- Installation Type - Free Standing / Portable Only

Accessories Included

- Wire Flat Shelf x 4
- Adjustable Foot x 4

Optional Accessories

- Wooden Rack

Plug Used:



CAUTION!	
	FRIST OR WATER DROPLETS may form inside the cooler during use, which is normal and will affect its function.
	GOOD LEARNING ON OR PRESSING the touch pad of the cooler at 10 seconds or more will stop the timer.
	TO PREVENT overheating, please ensure the cooler is placed in a well-ventilated area.
	It is normal for the sides of the cooler to become WARM due to refrigeration. Please do not touch.



LED Light



Low Emissivity Glass (Low-E)



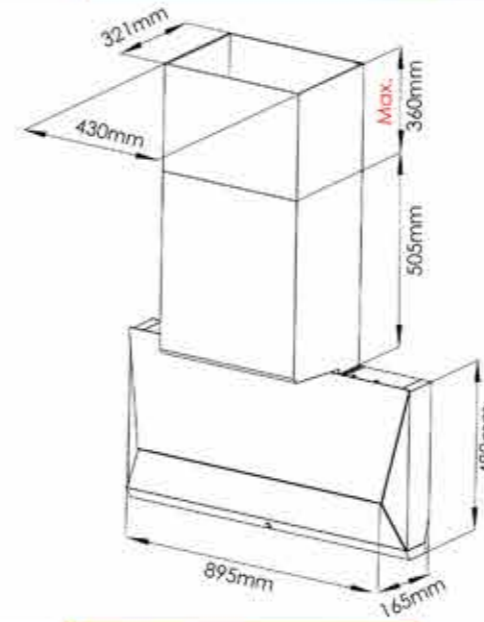
Retro Style Curve Handle



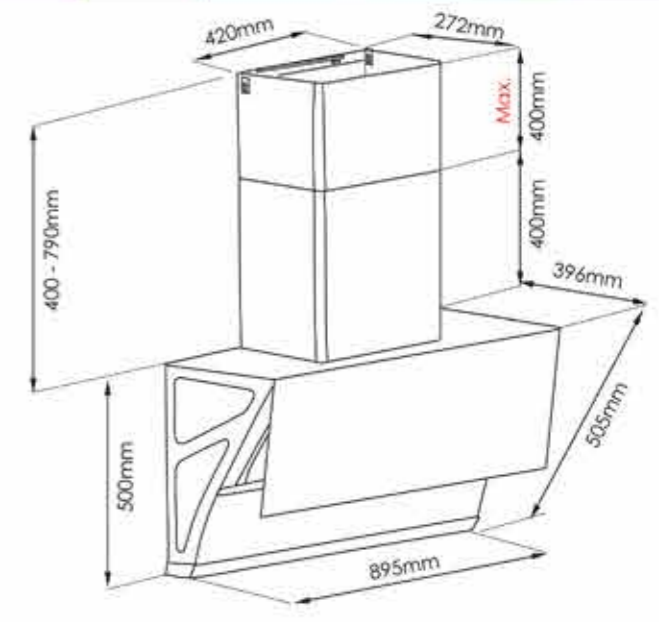
Removable Shelf for Easy Cleaning

DIMENSION

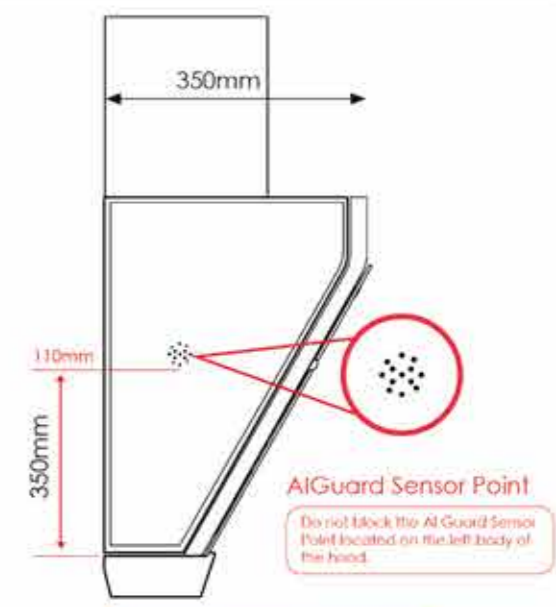
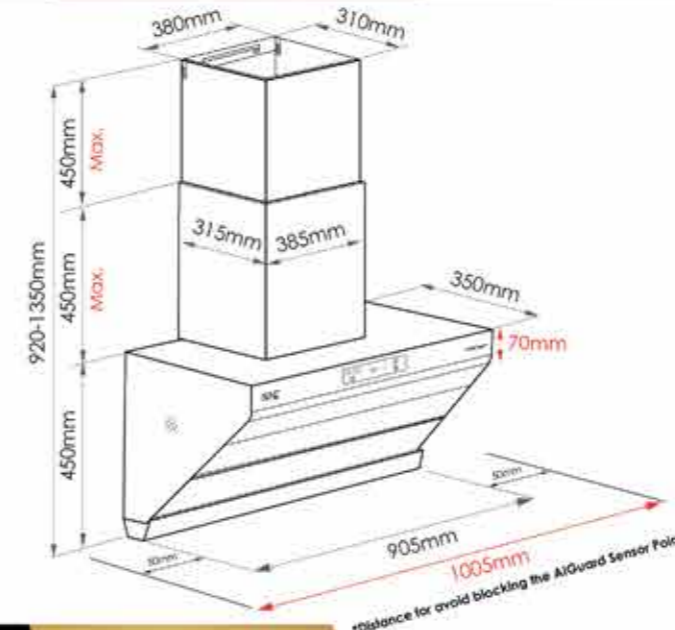
SENZ ZAFFIRO DC (CH9930DC)



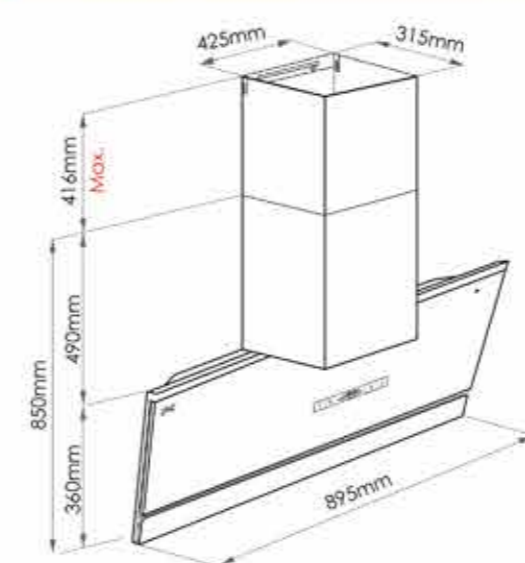
SENZ AURORA DC (CH9330DC)



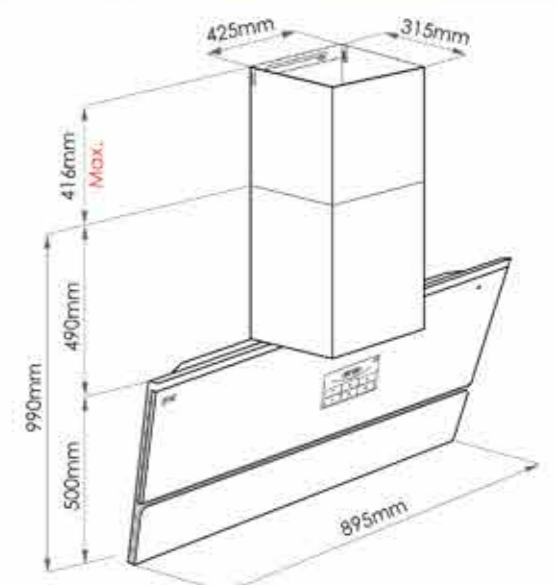
SENZ CALLISTER (CH9296DC)



SENZ INOVA (CH9898DC)

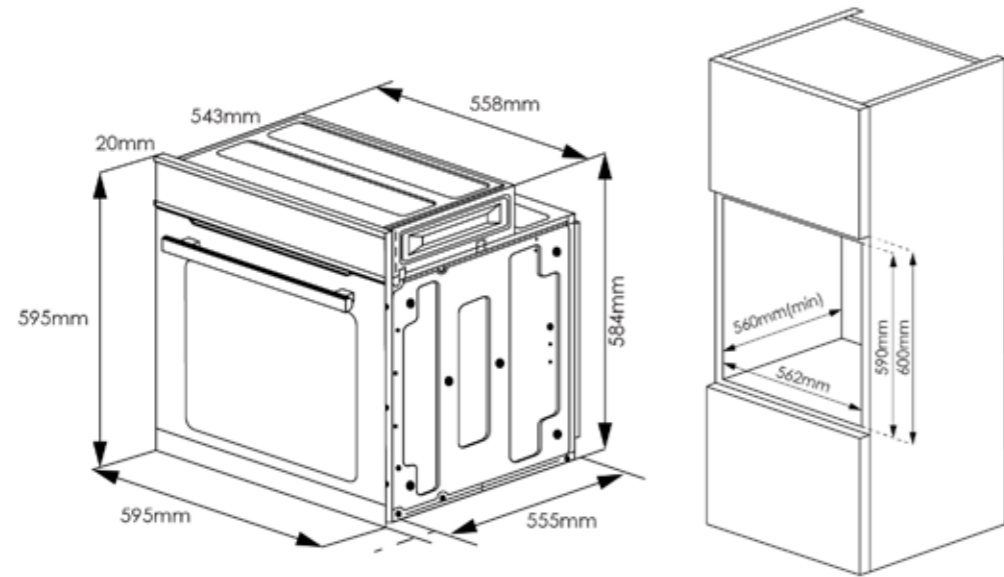


SENZ ESSLA (CH9396DC)



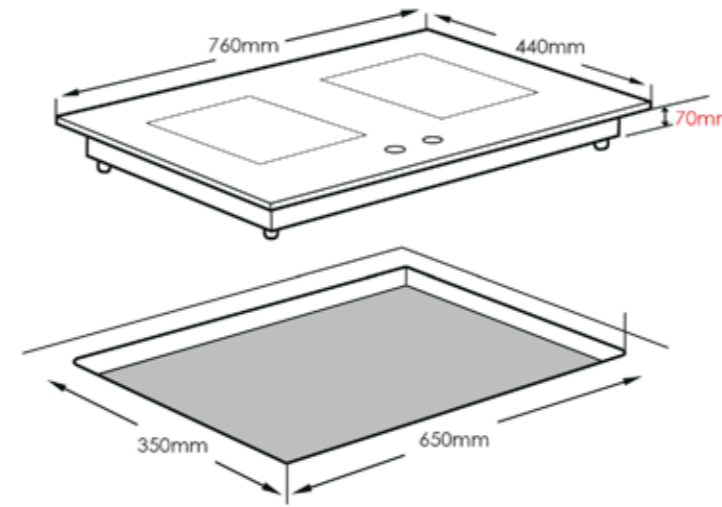
DIMENSION

SENZ ALL-IN-ONE Flexi Steam Pro (SOV70108)

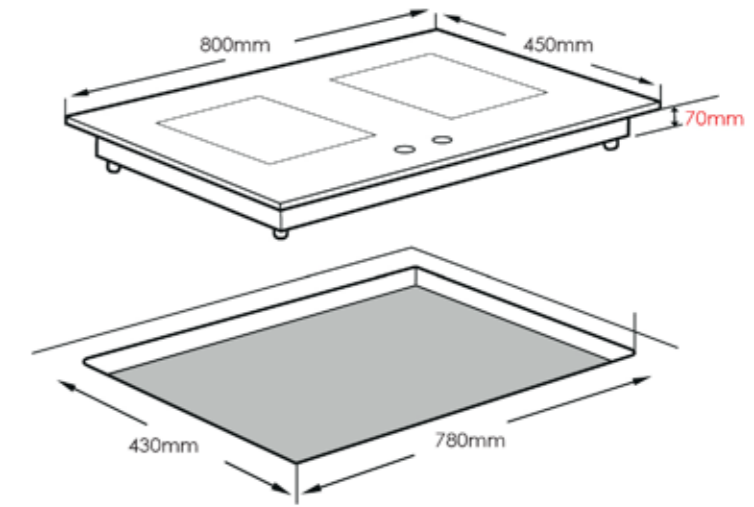


DIMENSION

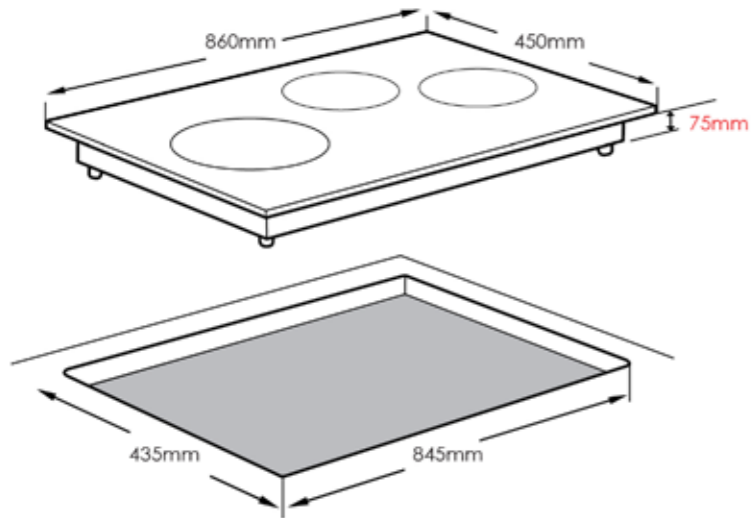
SENZ KARINO (GS3898)



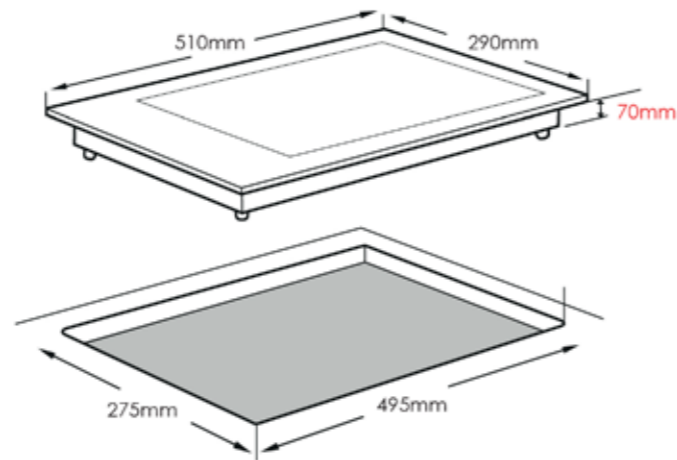
SENZ TRINITY (GS9888)



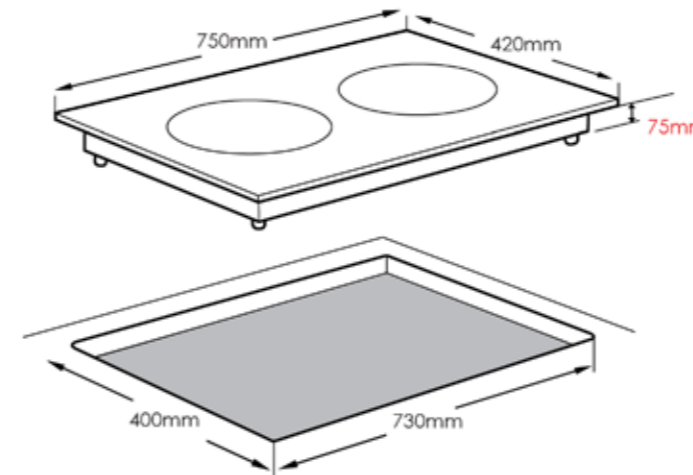
SENZ CARTERRA (RI8800)



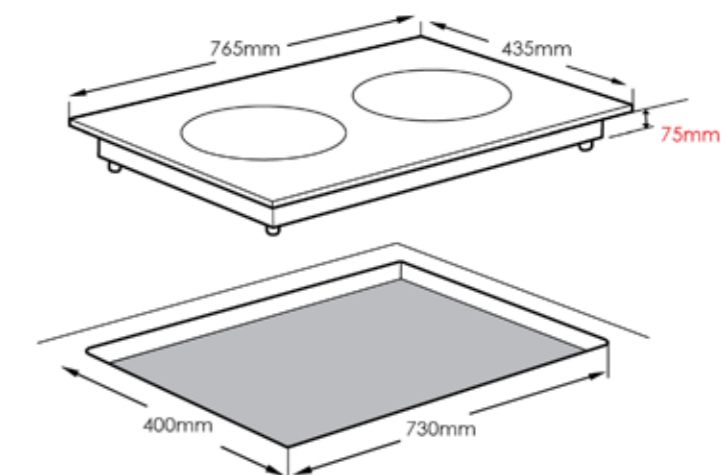
SENZ INFINITY ZONE (DI798)



SENZ RI6600i / RI3600i

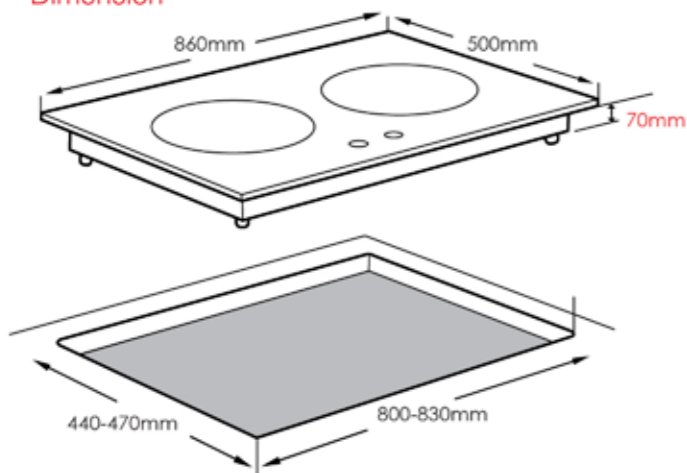


SENZ RC8200i

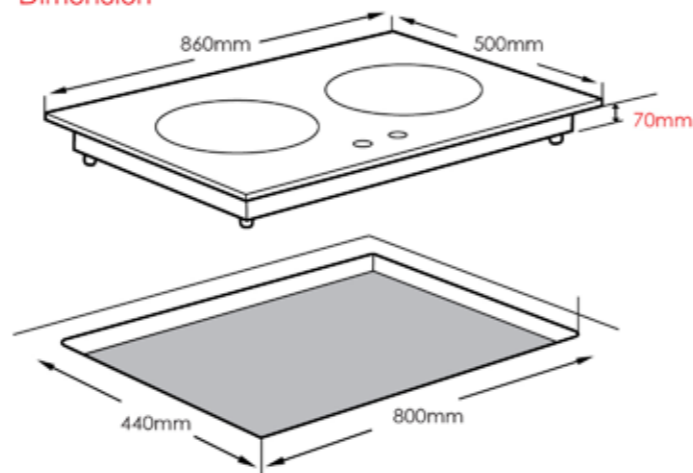


SENZ CRISTAL (GS4255) / TRESOR (GS8355)

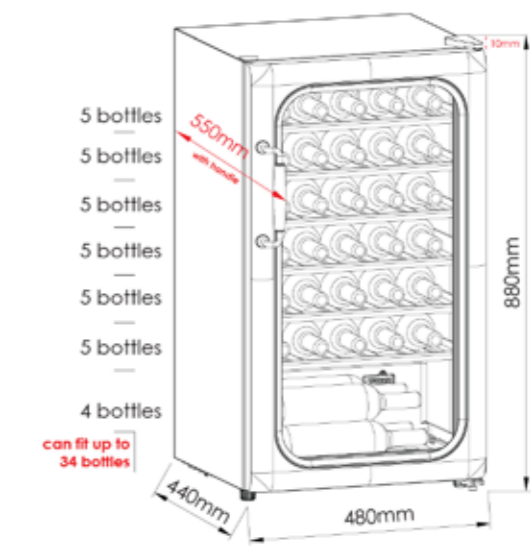
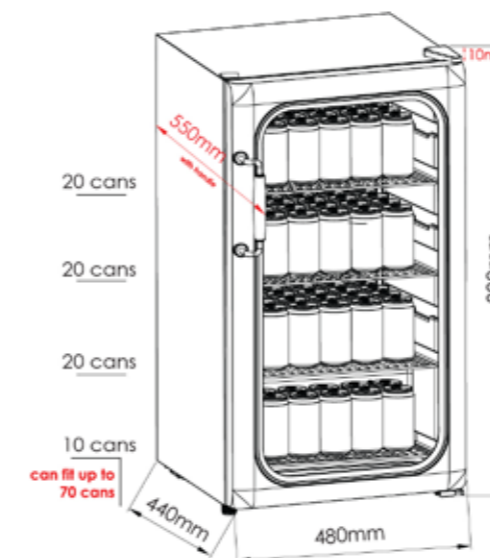
For Existing Hole Dimension



For New House Dimension

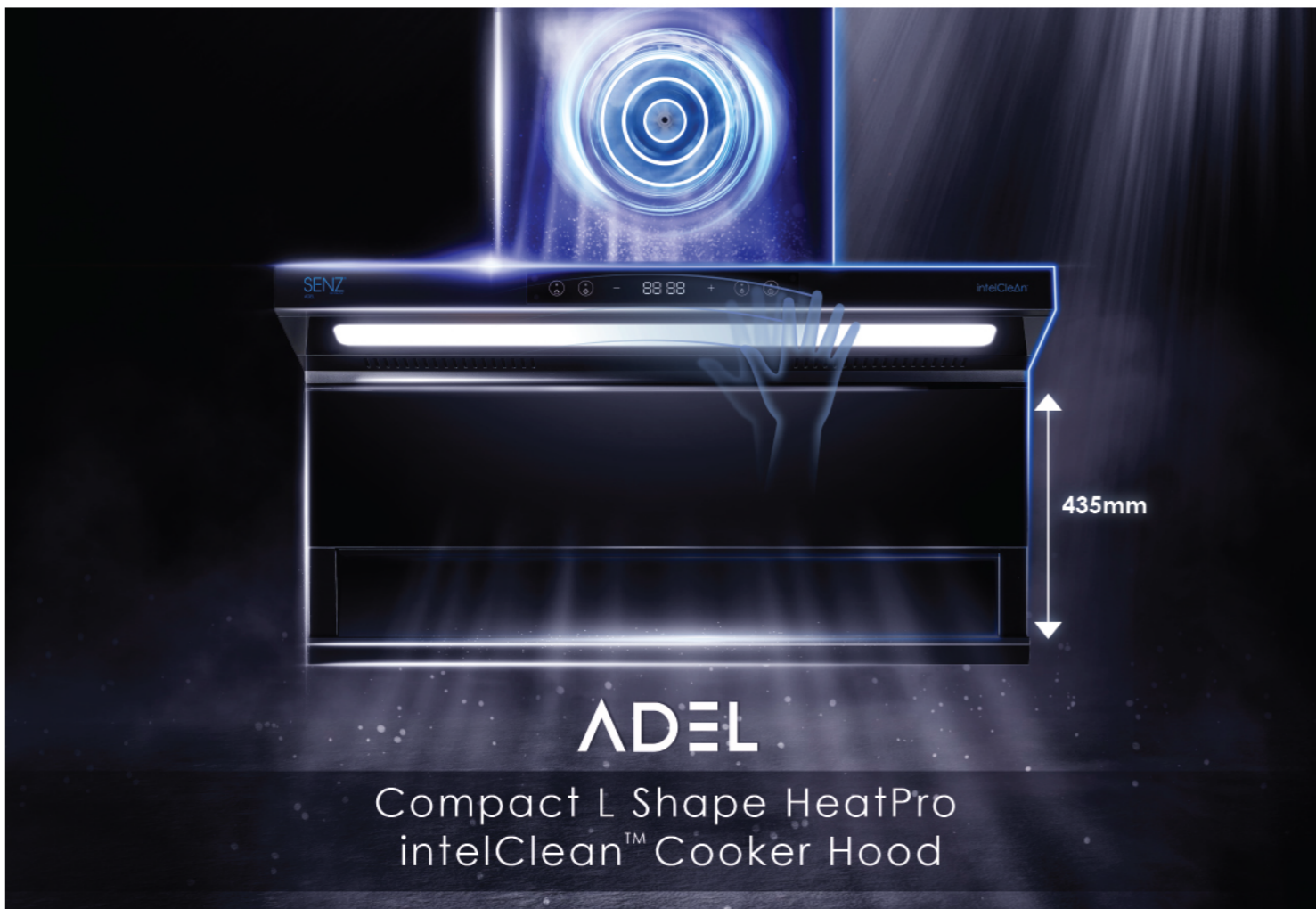


SENZ BC1008





PREMIUM
Collection



PREMIUM NEW **ADEL** Compact L Shape HeatPro intelClean™ Cooker Hood **Retail Price: EM: RM3,199 WM: RM2,999**
Model No: SZ-CH9560DC

PREMIUM NEW **VISTA** Nano Slim L Shape Design Heat Pro intelClean™ Cooker Hood **Retail Price: EM: RM3,399 WM: RM3,199**
Model No: SZ-CH9670DC



Key Features

- Compact L-Shape Design
- 2000 m3/h Suction Power + Turbo Boost
- Motion Sensor Technology
- Ultra-Quiet Operation
- Heat Auto Cleaning Function
- AIShield Nano Cold Plate Glass

Additional Practical Features

- BLDC Motor – with up to 1400Pa
- 5x Larger Metal Oil Cup
- FULL LED lighting
- Inner Curved AIShield Nano Cold Plate Glass

Installation Accessories Included

- 2 pcs Metal Chimney Cover
- Stainless Steel Wall Cap
- 3 meters Aluminum Hose (hose dimension: 180mm (7"))
- Ducting/Coring Size: 150mm = 6 inches (includes connector to adapt from 180mm to 150mm for easy installation)

Recommended Installation Height

- From bottom of hood to your counter top
- For Electric Hob: 300mm ~ 450mm
- For Gas Hob: 400mm ~ 500mm

Optional Accessories

- Charcoal Filter

Plug Used



Motion Sensor Technology

AIShield Nano Cold Plate Glass

Full LED Panel

Heat Auto Cleaning

BLDC Motor with up to 1400Pa

Noise Level as low as 45db



Key Features

- Nano Coating Body
- AI Grease Smart Function
- 2300 m3/h Suction Power + Turbo Boost
- Motion Sensor Technology
- Ultra-Quiet Operation
- Heat Auto Cleaning Function
- Cold Plate Glass

Additional Practical Features

- BLDC Motor – with up to 2000Pa
- 5x Larger Metal Oil Cup
- LED lighting
- Sleek L-Shape Design

Installation Accessories Included

- 2 pcs Metal Chimney Cover
- Stainless Steel Wall Cap
- 3 meters Aluminum Hose (hose dimension: 180mm (7"))
- Ducting/Coring Size: 150mm = 6 inches (includes connector to adapt from 180mm to 150mm for easy installation)

Recommended Installation Height

- From bottom of hood to your counter top
- For Electric Hob: 300mm ~ 450mm
- For Gas Hob: 400mm ~ 500mm

Optional Accessories

- Charcoal Filter

Plug Used



Motion Sensor Technology

Nano Coating Body Glass

Cold Plate Glass (Easy Cleaning)

AI Grease Smart Function

BLDC Motor with up to 2000Pa

Noise Level as low as 45db

Heat Auto Cleaning

PREMIUM NEW

STELLA DC L Shape Design Heat Pro IntelClean™ Cooker Hood Retail Price: EM: RM2,799 WM: RM2,599

Model No: SZ-CH9166DC



Recirculating System

Key Features

- AI Grease Smart Function
- 2000 m3/h Suction Power + Turbo Boost
- Motion Sensor Technology
- Ultra-Quiet Operation
- Heat Auto Cleaning Function
- Cold Plate Glass

Additional Practical Features

- BLDC Motor – with up to 1900Pa
- 5x Larger Metal Oil Cup
- FULL LED lighting

Installation Accessories Included

- 2 pcs Metal Chimney Cover
- Stainless Steel Wall Cap
- 3 meters Aluminum Hose (hose dimension: 180mm (7"))
- Ducting/Coring Size: 150mm = 6 inches (includes connector to adapt from 180mm to 150mm for easy installation)

Recommended Installation Height

- From bottom of hood to your counter top
- For Electric Hob: 300mm – 450mm
- For Gas Hob: 400mm – 500mm

Optional Accessories

- Charcoal Filter

Plug Used



PREMIUM NEW

LUMI Nano White IntelClean™ Cooker Hood – WiFi Function Retail Price: EM: RM3,299 WM: RM3,099

Model No: SZ-CH7568DC



Recirculating System

Key Features

- AI Grease Smart Function
- 2000 m3/h Suction Power
- Motion Sensor Technology
- Ultra-Quiet Operation
- Heat Auto Cleaning Function
- Equip with intelSync Technology
- WiFi Function

Additional Practical Features

- BLDC Motor – with up to 1900Pa
- 5x Larger Metal Oil Cup
- FULL LED lighting
- Removable Metal Filter

Installation Accessories Included

- 1 pcs Washable Metal Filter
- 2 pcs Metal Chimney Cover
- Stainless Steel Wall Cap
- 3 meters Aluminum Hose (hose dimension: 180mm (7"))
- Ducting/Coring Size: 150mm = 6 inches (includes connector to adapt from 180mm to 150mm for easy installation)

Recommended Installation Height

- From bottom of hood to your counter top
- For Electric Hob: 300mm – 450mm
- For Gas Hob: 400mm – 500mm

Compatible intelSync Gas Hob Model

- SENZ EMERALD-W: SZ-GS1398FL-W

Optional Accessories

- Charcoal Filter

Plug Used



PREMIUM NEW

NOVA Compact HeatPro IntelClean™ Cooker Hood Retail Price: EM: RM2,899 WM: RM2,699

Model No: SZ-CH2898DC



Recirculating System

Key Features

- Latest Hybrid (Chimney + Angled) Design
- 2000 m3/h Suction Power
- Motion Sensor Technology
- Ultra-Quiet Operation
- Heat Auto Cleaning Function

Additional Practical Features

- BLDC Motor – with up to 1800Pa
- 5x Larger Metal Oil Cup
- LED lighting
- Retractable Panel Design
- Removable Magnetic Metal Filter

Installation Accessories Included

- 1 pcs Washable Metal Filter
- Chimney Cover – 1st Glass Chimney – 2nd Metal Chimney
- Stainless Steel Wall Cap
- 3 meters Aluminum Hose (hose dimension: 180mm (7"))
- Ducting/Coring Size: 150mm = 6 inches (includes connector to adapt from 180mm to 150mm for easy installation)

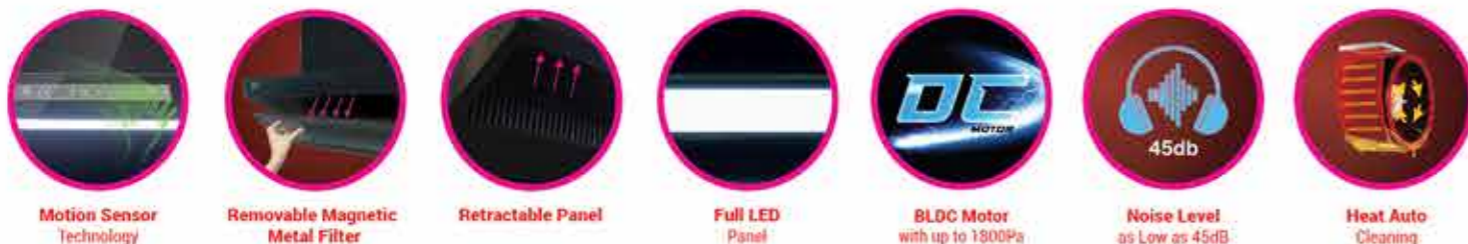
Recommended Installation Height

- From bottom of hood to your counter top
- For Electric Hob / Gas Hob: 600mm – 700mm

Optional Accessories

- Charcoal Filter

Plug Used



PREMIUM NEW

EMERALD Smart AIFlow Twin Burner Gas Stove with Timer Retail Price: EM: RM2,199 WM: RM1,999

Model No: SZ-GS1398FL-W



Key Features

- Smart AIFlow System
- No Adjustment of Air Regulator
- Enhanced Safety – Faster Gas Leak Detection
- Equip with intelSync Technology – function ONLY available when pair with LUMI cooker hood (a) Smart AI ON / OFF Function
- 180 Minutes Timer Function
- 5.6kw/h Heat Intensity
- 0-Second Ignition
- Safety Valve
- 10 Seconds Auto Cut-Off
- Crystal NANO White Coating Glass

Additional Practical Features

- Battery Operated Auto-Ignition
- Flexible Base Design
- Removable Burner Cap
- Special Windshield Wok Rack

Compatible intelSync Cooker Hood Model

- SENZ LUMI: SZ-CH7568DC

Installation & Compatibility

- Gas Type – LPG
- Gas Pressure – 2900 kPa
- Glass Size – 860mm (W) x 500mm (L)
- Built-in Hole Dimension – For New House: 710mm (W) x 410mm (L) – For Existing Hole: 710-830mm (W) x 410-470mm (L)
- Installation Type – Free Standing or Built-In



0 Second IGNITION

Futex Glass, 5.4kW Heat Intensity, IntelSync Technology

Battery Ignition, Safety Valve, Tempered Glass, Premium Cast Iron, SKM Certified

CAUTION

WARNING!!

WARNING!!

PREMIUM NEW

VERTEX Hybrid L-Shape HeatPro IntelClean™ Cooker Hood

Retail Price: EM: RM3,299 WM: RM3,099

Model No: SZ-CH7888DC



Recirculating System

Key Features

- Compact L-Shape Design
- FULL Grey Nano Coating Body
- AI Grease Smart Function
- 2000 m3/h Suction Power + Turbo Boost
- Motion Sensor Technology
- Ultra-Quiet Operation
- Heat Auto Cleaning Function
- Latest AiNano Shield Coating Glass

Additional Practical Features

- BLDC Motor – with up to 1900Pa
- 5x Larger Metal Oil Cup
- FULL LED lighting
- Inner Curved Full AiNano Shield Coating

Installation Accessories Included

- 2 pcs Nano Metal Chimney Cover
- Stainless Steel Wall Cap
- 3 meters Aluminum Hose (hose dimension: 180mm (7"))
- Ducting/Coring Size: 150mm = 6 inches (includes connector to adapt from 180mm to 150mm for easy installation)

Recommended Installation Height

- From bottom of hood to your counter top
- For Electric Hob: 300mm – 450mm
- For Gas Hob: 400mm – 500mm

Optional Accessories

- Charcoal Filter

Plug Used



PREMIUM NEW

RI6200I 2 In 1 Smart Cooker with Rose Gold Frame

Retail Price: EM: RM2,299 WM: RM2,099

Model No: SZ-RI6200I



Key Features

- Matte-Finished, Heat resistance ceramic glass
- Dual Heating Zone – Induction (L) + Ceramic (R)
- 4000W Power Output
- 200W Boost Function
- P1-P9 Heat Power Level Adjustment
- Sleek Touch & Slider Control with LED Display
- 99 Minutes Timer Function
- 60 Minutes Auto Cut-Off
- Electronic Overheating Protection

Additional Practical Features

- Special Rose Gold Frame
- Cooking Functions
- High Power Output
- Energy Efficient
- Child Safety Lock

Installation & Compatibility

- Glass Size – 730mm (W) x 430mm (L)
- Built-In Hole Dimension – 670mm (W) x 400mm (L)
- Power Supply – 220 – 240V ~ 50Hz / 60Hz
- Standby Electricity – 2W
- Installation Type – Free Standing or Built-In

Plug Used:



Suit for all cookware materials



Motion Sensor Technology



AI Grease Smart Function



BLDC Motor with up to 1900Pa



Noise Level as low as 45dB



AI Nano Shield



Heat Auto Cleaning



Matte-Finished Surface



Special Rose Gold Frame Design

PREMIUM

RI3200I 2 In 1 Smart Cooker

Retail Price: EM: RM2,299 WM: RM2,099

Model No: SZ-RI3200I



Key Features

- Dual Heating Zone – Induction (L) + Ceramic (R)
- 2900W Power Output – Total power sharing 2900W
- Wattage-Based Heat Adjustment
- Sleek Touch Control with LED Display
- Matte-Finished Glass
- 24 Hours Timer Function
- 12 Hours Preset Timer Function
- 60 Minutes Auto Cut-Off
- Electronic Overheating Protection

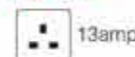
Additional Practical Features

- Cooking Functions
- High Power Output
- Energy Efficient
- Child Safety Lock

Installation Accessories Included

- Glass Size – 690mm (W) x 420mm (L)
- Built-In Hole Dimension – 670mm (W) x 400mm (L)
- Power Supply – 220 – 240V ~ 50Hz / 60Hz
- Standby Electricity – 2W
- Installation Type – Free Standing or Built-In

Plug Used



Suit for all cookware materials



PREMIUM

RC220FT Double Ceramic MultiCooker

Retail Price: EM: RM2,999 WM: RM2,799

Model No: SZ-RC220FT



Key Features

- Matte-Finished, Heat resistance ceramic glass
- Dual Heating Zone – Ceramic (L) + Ceramic (R)
- 4400W Power Output **ECO**
- Heating Element – Germany
- 12 Heat Levels Adjustment
- Sleek Touch Control with LED Display
- 24 Hours Timer Function
- 60 Minutes Auto Cut-Off
- Electronic Overheating Protection

Additional Practical Features

- Cooking Functions
- High Power Output
- Energy Efficient
- Child Safety Lock

Installation & Compatibility

- Glass Size – 690mm (W) x 420mm (L)
- Built-In Hole Dimension – 670mm (W) x 400mm (L)
- Power Supply : 220 – 240V ~ 50Hz / 60Hz
- Standby Electricity : 4W
- Installation Type – Free Standing or Built-In

Plug Used:



Suit for all cookware materials



Matte-Finished Surface



Preset Timer



Matte-Finished Surface

EMERALD

Smart AiFlow System Gas Hob

SMART
AiFlowTM
TECHNOLOGY



Futex Glass



Smart AiFlow Technology



5.6kW Heat Intensity



Safety Valve

0 Second IGNITION

PREMIUM NEW

EMERALD Smart AiFlow Twin Burner Gas Stove with Timer

Retail Price: EM: RM2,199 WM: RM1,999

Model No: SZ- GS1398FL- B



Key Features

- Smart AiFlow System
- No Adjustment of Air Regulator
- Enhanced Safety
- 180 Minutes Timer Function
- 5.6kW/h Heat Intensity
- 0-Second Ignition
- Safety Valve
- 10 Seconds Auto Cut-Off
- NANO Coating, Heat Resistance Ceramic Glass

Additional Practical Features

- Battery Operated Auto-Ignition
- Flexible Base Design
- Removable Burner Cap
- Special Windshield Wok Rack

Installation Accessories Included

- Gas Type – LPG
- Gas Pressure – 2900 KPA
- Installation Type – Free Standing or Built-in

CAUTION Do not touch the burner cap when the burner is lit. The burner cap is hot and may cause burns.		CAUTION: USE ONLY LOW PRESSURE REGULATOR FOR THIS APPLIANCE		
WARNING!! Do not attempt to adjust the gas pressure or gas flow. This is a dangerous operation and may cause gas leaks or fire.		WARNING!! Do not attempt to modify the burner or the gas valve. This is a dangerous operation and may cause gas leaks or fire.		
WARNING!! This product is not to be used for any purpose other than cooking. It is not to be used for any other purpose, including heating, drying, or any other use that may be dangerous.				



Special Wok Design
To reduce heat during cooking



Futex Glass
Heat resistance tempered glass



Smart AiFlow Technology



Timer
Up to 180 Minutes



Nano Coating

CAUTION : Please ensure that the burner cap is placed securely and evenly to prevent any gas leaks and potential fire hazards.



Stove with AiFlow intake System



Steady flame stability unaffected by cabinet.



Air and gas mix more fully for complete combustion.



Tri-Ringz

Gas Hob

PREMIUM GS388 Tri-Ringz Twin Burner Gas Stove Retail Price: EM: RM1,899 WM: RM1,699

Model No: SZ- GS388



CAUTION: Please ensure that the burner cap is placed securely and evenly to prevent any gas leaks and potential fire hazards.
OPERATION: 1 - Pressed and hold the knob for 3-5 seconds before turning it.
 2 - After flame ignites, keep pressing the knob for 5 more seconds before releasing it to prevent the flame from going out.
OPERATION: When either of the knobs is pressed, both ignition pins will light up, indicating that the gas is ready to ignite. However, the gas supply for each burner is separate, so only the burner that has been turned on will ignite and produce a flame.

Key Features

- Triple Ringz Design
- 6.4kw/h Heat Intensity
- Safety Valve
- 10 Seconds Auto Cut-Off
- Gloss Finished, Heat Resistance Ceramic Glass **FLUTEX**

Additional Practical Features

- Battery Operated Auto-Ignition
- Removable Burner Cap

Installation Accessories Included

- Gas Type - LPG
- Gas Pressure - 2800 kPa
- Installation Type - Free Standing or Built-In

Tri-Ringz FAST IGNITION	FLUTEX Futex Glass	1 First in Malaysia	3 Triple Ring Burners	6.4 6.4kW Heat Intensity
Battery Ignition	Safety Valve	Tempered Glass	Premium Cast Iron	SIRIM Certified
CAUTION Do not attempt to adjust the gas pressure or gas connection to match regulator and gas meter in that sequence.	WARNING!! DO NOT attempt to adjust the gas pressure or gas connection to match regulator and gas meter in that sequence.	HOW TO IGNITE FIRE 1. Press and hold the knob for 3-5 seconds before turning it. 2. After flame ignites, keep pressing the knob for 5 more seconds before releasing it to prevent the flame from going out.	WARNING!! DO NOT attempt to adjust the gas pressure or gas connection to match regulator and gas meter in that sequence.	WARNING!! DO NOT attempt to adjust the gas pressure or gas connection to match regulator and gas meter in that sequence.
CAUTION: USE ONLY LOW PRESSURE REGULATOR FOR THIS APPLIANCE	WARNING!! DO NOT attempt to adjust the gas pressure or gas connection to match regulator and gas meter in that sequence.	WARNING!! DO NOT attempt to adjust the gas pressure or gas connection to match regulator and gas meter in that sequence.	WARNING!! DO NOT attempt to adjust the gas pressure or gas connection to match regulator and gas meter in that sequence.	WARNING!! DO NOT attempt to adjust the gas pressure or gas connection to match regulator and gas meter in that sequence.

Triple Ring Burners	Special Wok Design To reduce heat during cooking	Futex Glass Heat resistance tempered glass

PREMIUM NEW SAPHIRE Tri-Ringz Twin Burner Gas Stove with Timer Retail Price: EM: RM2,199 WM: RM1,999

Model No: SZ- GS1328FL



Key Features

- Triple Ringz Design
- 180 Minutes Timer Function
- 5.8kw/h Heat Intensity
- 0-Second Ignition
- Safety Valve
- 10 Seconds Auto Cut-Off
- NANO Coating, Heat Resistance Ceramic Glass **FLUTEX**

Additional Practical Features

- Battery Operated Auto-Ignition
- Flexible Base Design
- Removable Burner Cap

Installation Accessories Included

- Gas Type - LPG
- Gas Pressure - 2900 kPa
- Glass Size - 860mm (W) x 500mm (L)
- Built-in Hole Dimension
- For New House: 710mm (W) x 410mm (L)
- For Existing Hole: 710-830mm (W) x 410-470mm (L)
- Installation Type - Free Standing or Built-In

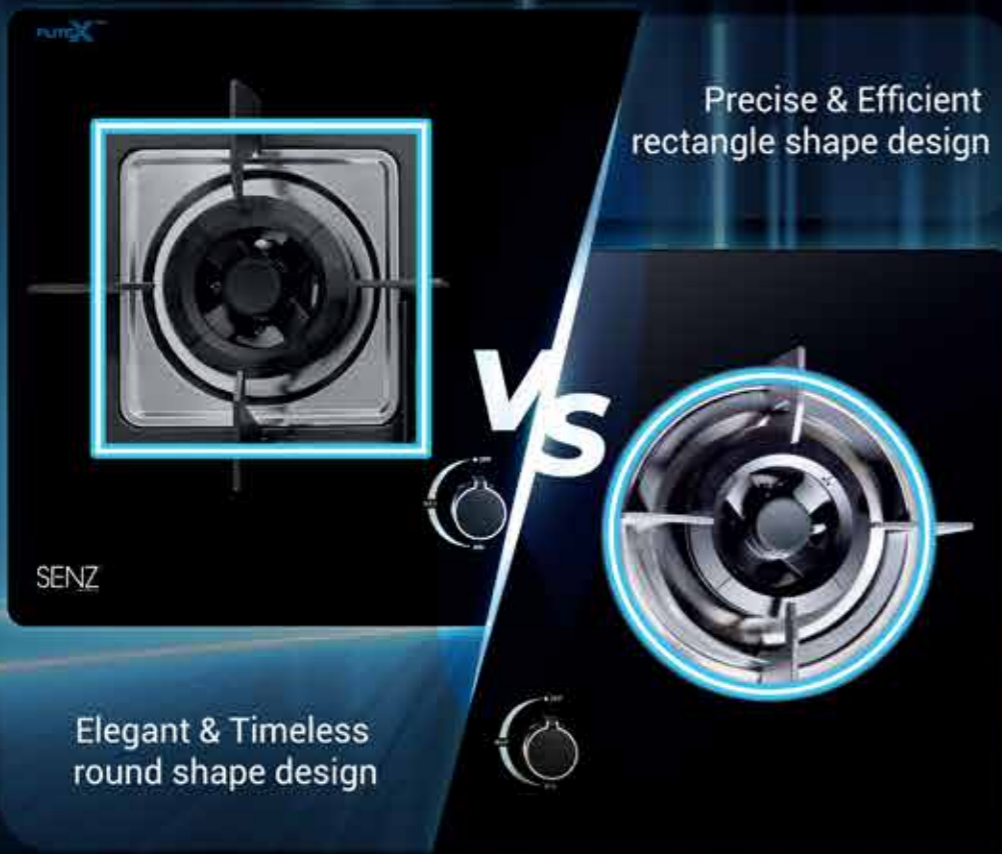
Tri-Ringz 0Second IGNITION	FLUTEX Futex Glass	1 First in Malaysia	3 Triple Ring Burners	5.8 5.8kW Heat Intensity
Battery Ignition	Safety Valve	Tempered Glass	Premium Cast Iron	SIRIM Certified
CAUTION Do not attempt to adjust the gas pressure or gas connection to match regulator and gas meter in that sequence.	WARNING!! DO NOT attempt to adjust the gas pressure or gas connection to match regulator and gas meter in that sequence.	CAUTION: USE ONLY LOW PRESSURE REGULATOR FOR THIS APPLIANCE	WARNING!! DO NOT attempt to adjust the gas pressure or gas connection to match regulator and gas meter in that sequence.	WARNING!! DO NOT attempt to adjust the gas pressure or gas connection to match regulator and gas meter in that sequence.
WARNING!! DO NOT attempt to adjust the gas pressure or gas connection to match regulator and gas meter in that sequence.	WARNING!! DO NOT attempt to adjust the gas pressure or gas connection to match regulator and gas meter in that sequence.	WARNING!! DO NOT attempt to adjust the gas pressure or gas connection to match regulator and gas meter in that sequence.	WARNING!! DO NOT attempt to adjust the gas pressure or gas connection to match regulator and gas meter in that sequence.	WARNING!! DO NOT attempt to adjust the gas pressure or gas connection to match regulator and gas meter in that sequence.

Triple Ring Burners	Special Wok Design To reduce heat during cooking	Futex Glass Heat resistance tempered glass	Timer Up to 180 Minutes	Nano Coating

CAUTION: Please ensure that the burner cap is placed securely and evenly to prevent any gas leaks and potential fire hazards.
 Installation fees is NOT included for all the price stated above & price is subject to change without prior notice.

FLEXIBLE BASE

Can fit in variety of built-in hole
350-430 mm (W) x 650-750 mm (L)



Why Flexible Base?

Introducing our latest gas cooker with a flexible base that can be customized to fit a variety of hole sizes. Say goodbye to the hassle of finding a gas stove that fits your existing built-in hole. Our adjustable base provides the perfect solution for customers who are looking to upgrade to a new gas stove but worry about compatibility issues. Experience the convenience and peace of mind knowing that our gas cooker is designed with your needs in mind. Upgrade your kitchen with our versatile gas cooker today!

Model No: SZ- GS6852FL



- ### Key Features
- Easy-Clean Sealed Burner with Squam Plate Base
 - 5.2kw/h Heat Intensity
 - Safety Valve
 - 10 Seconds Auto Cut-Off
 - Gloss Finished, Heat Resistance Ceramic Glass **FUTEX**

- ### Additional Practical Features
- Battery Operated Auto-Ignition
 - Exclusive SENZ Logo on Burner Cap
 - Flexible Base Design
 - Removable Burner Cap
 - Square Wok Rack Design

- ### Installation & Compatibility
- Gas Type – LPG
 - Gas Pressure – 2800 kPa
 - Installation Type – Free Standing or Built-In



CAUTION

WARNING!!

HOW TO IGNITE FIRE

WARNING!!

CAUTION: USE ONLY LOW PRESSURE REGULATOR FOR THIS APPLIANCE

CAUTION : Please ensure that the burner cap is placed securely and evenly to prevent any gas leaks and potential fire hazards.

OPERATION : 1 - Pressed and hold the knob for 3 - 5 seconds before turning it.
2 - After flame ignites, keep pressing the knob for 5 more seconds before releasing it to prevent the flame from going out.

OPERATION : When either of the knobs is pressed, both ignition pins will light up, indicating that the gas is ready to ignite. However, the gas supply for each burner is separate, so only the burner that has been turned on will ignite and produce a flame.



Model No: SZ- GS368FL



- ### Key Features
- Easy-Clean Sealed Burner with Round Plate Base
 - 5.2kw/h Heat Intensity
 - Safety Valve
 - 10 Seconds Auto Cut-Off
 - Gloss Finished, Heat Resistance Ceramic Glass **FUTEX**

- ### Additional Practical Features
- Battery Operated Auto-Ignition
 - Exclusive SENZ Logo on Burner Cap
 - Flexible Base Design
 - Removable Burner Cap

- ### Installation & Compatibility
- Gas Type – LPG
 - Gas Pressure – 2800 kPa
 - Installation Type – Free Standing or Built-In



CAUTION

WARNING!!

HOW TO IGNITE FIRE

WARNING!!

CAUTION: USE ONLY LOW PRESSURE REGULATOR FOR THIS APPLIANCE

CAUTION : Please ensure that the burner cap is placed securely and evenly to prevent any gas leaks and potential fire hazards.

OPERATION : 1 - Pressed and hold the knob for 3 - 5 seconds before turning it.
2 - After flame ignites, keep pressing the knob for 5 more seconds before releasing it to prevent the flame from going out.

OPERATION : When either of the knobs is pressed, both ignition pins will light up, indicating that the gas is ready to ignite. However, the gas supply for each burner is separate, so only the burner that has been turned on will ignite and produce a flame.



NANOWASH 7 DIGITAL PROGRAM DISHWASHER



7 Wash Presets

Instant Setup
No installation required

Hot Air Drying

Holds 20+ Items
With dishes up to 26cm



ALL in 1 FUNCTIONS

Highlights:

- All in 1 Functions – Bake, Grill, Steam and Air Fry
- 34 Litres Capacity
- 12 Preset Auto Menu
- 24 Hours Digital Time Display

All in 1 functions

- Fermentation
- Defrost
- Triple Glazed Removable Tempered Glass
- Removable Inner Rack
- 1000ml Capacity External Water Container
- Child Safety Lock

Installation & Compatibility

- Voltage/Frequency – 230V/50Hz
- Power Consumption – 2000W
- Interior Material – Stainless Steel SUS304
- Installation Type – Built-In

Accessories Included

- Baking Tray x1
- Drip Tray x1
- Inner Rack x2

Plug Used:



Steam Mode



Bake Mode



Remarks: There will be a variance of +20°C from the temperature set during operation.
*Purchase with purchase (PWP) is applicable with purchase of Multihood + Multicooker package only



Auto Menu Function



34L Capacity



External Water Container

WM RM3,299*
EM RM3,499*
PWP



Key Features

- **Free Standing Design**
– use it right out of the box, even in spaces without fixed plumbing. Freedom to place it anywhere.
- **Capacity – 3 to 4 Full Sets of Dishes**
– perfect for small households or apartments. Can be fit for:
– 1pcs x large plates 27cm
– 2pcs x medium plates 22cm
– 2pcs x bowls 15.3cm
– 3pcs x small bowls 12.3cm
– 2 x cups
– 3 x sauce bowl 10cm
– 1 x small knife
– 3 x pair of Chopsticks
– 2 x forks
– 2 x spoons
– 1 x ladle spoons
- **No Plumbing? No Problem! Flexible Water Supply Modes**
– simply add water manually or connect directly to a water pipe – perfect for any kitchen setup.
- **All-in-One Multi-Function Use**
– a dishwasher, vegetable washer, dish cabinet and sterilizer – all in one compact unit.
- **Drying Function**
- **Dual Function – Wash Dishes & Fresh Produce**
– gently clean fruits and vegetables with a dedicated cycle.

- **7 Auto Cleaning Programs**
– just choose the perfect wash with a single touch
– Normal (69 mins)
– ECO (68 mins)
– Quick (29 mins)
– Strong (89 mins)
– Glass (50 mins)
– Fruit (19 mins)
– Self-clean (79 mins)
- **72 Hours Ventilated Storage**
– after washing, your dishes stay fresh with automatic ventilation that prevents odor and bacteria

Additional Practical Features

- Compact Design, Maximum Efficiency
- Hygienic, Hassle-Free Operation
- Child Safety Lock

Installation & Compatibility

- Product Dimension – 428mm (W) x 425mm (L) x 458mm (H)
- Interior Material - PP TD20
- Installation Type – Free Standing / Portable Only

Accessories Included

- Inlet Hose for Water Pipe x1
- Drain Hose x1
- Water Container Cup x1
- Fruit Basket x1

Plug Used:






PREMIUM NEW **BRILLO** Black Matt Surface Designer Pendant Hood with Remote Control
 Model No: SZ- ICH188
 Retail Price: **EM: RM2,399 WM: RM2,199**

PREMIUM NEW **SERENO** Black Glass Designer Pendant Hood 750mm with Remote Control
 Model No: SZ- ICH608
 Retail Price: **EM: RM2,899 WM: RM2,699**




- Key Features**
- Latest Pendant Hood Design
 - 1200 m³/h Suction Power
 - Convenient Remote Control
- Additional Practical Features**
- Sleek & Modern Design
 - Recirculation Option Only
 - LED lighting
- Installation Accessories Included**
- 1 pcs Washable Buffer Filter
 - 2 pcs Charcoal Filter

- Recommended Installation Height**
- From bottom of hood to your counter top
 - For Electric Hob / Gas Hob: 750mm (or adjust based on your ceiling height)
- Optional Accessories**
- Charcoal Filter
- Plug Used**
-  13amp



With Remote Control

- Key Features**
- Latest Pendant Hood Design
 - 1200 m³/h Suction Power
 - Convenient Remote Control
- Additional Practical Features**
- Sleek & Modern Design
 - Recirculation Option Only
 - LED lighting
- Installation Accessories Included**
- 1 pcs Washable Buffer Filter
 - 2 pcs Charcoal Filter

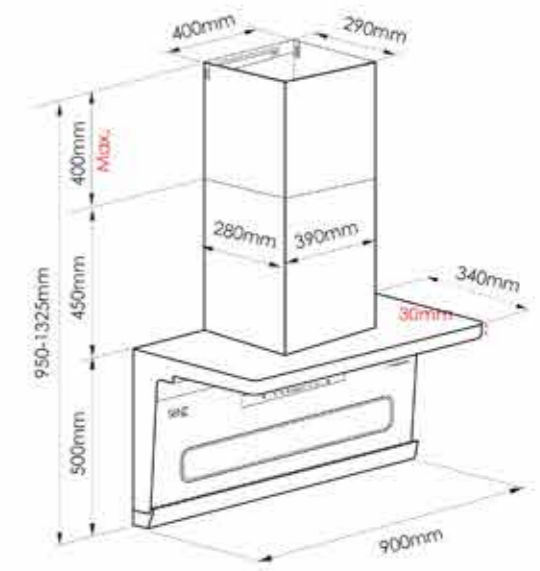
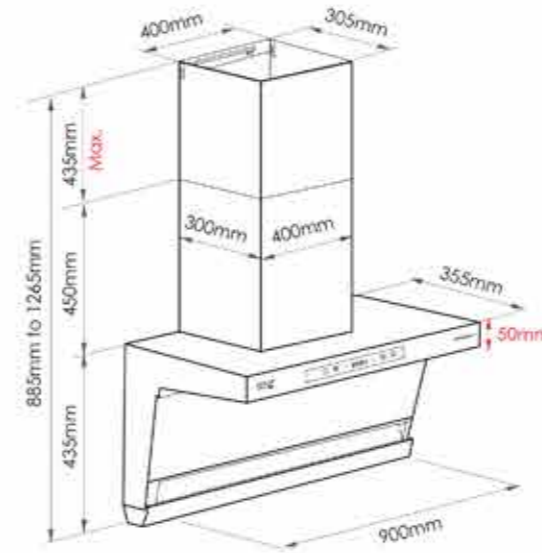
- Recommended Installation Height**
- From bottom of hood to your counter top
 - For Electric Hob / Gas Hob: 750mm (or adjust based on your ceiling height)
- Optional Accessories**
- Charcoal Filter
- Plug Used**
-  13amp



DIMENSION

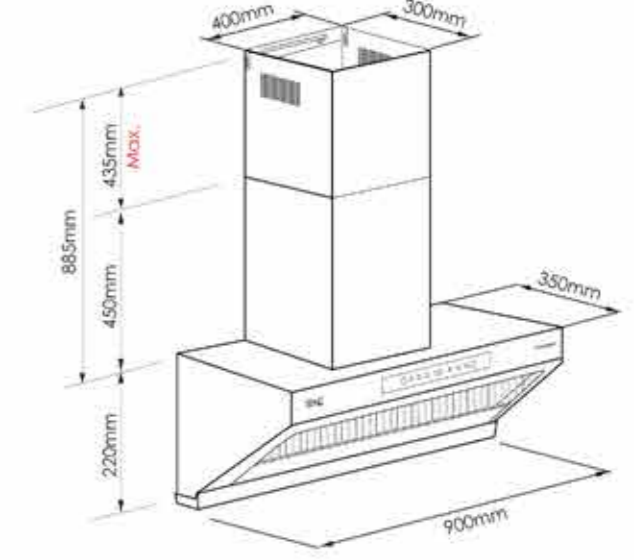
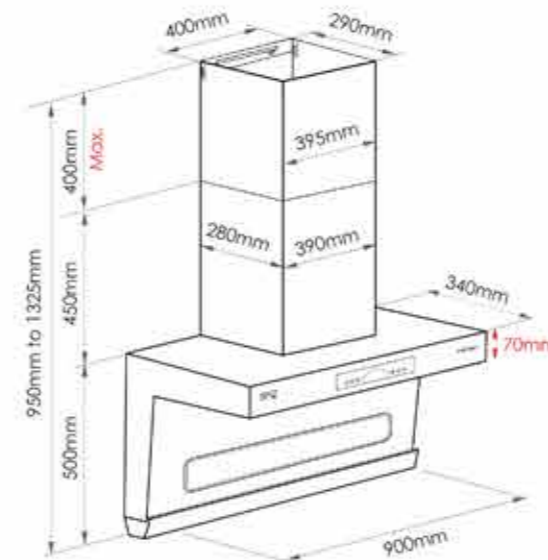
SENZ ADEL(CH9560DC)

SENZ VISTA(CH9670DC)



SENZ STELLA DC(CH9166DC)

SENZ NOVA(CH2898DC)



PREMIUM NEW

VENTE Black Glass Designer Pendant Hood with Remote Control.
Model No: SZ- ICH328

Retail Price: EM: RM3,099 WM: RM2,899



Recirculating System

Key Features

- Latest Pendant Hood Design
- 1200 m³/h Suction Power
- Convenient Remote Control

Additional Practical Features

- Sleek & Modern Design
- Recirculation Option Only
- LED lighting

Installation Accessories Included

- 1 pcs Washable Buffer Filter
- 2 pcs Charcoal Filter

Recommended Installation Height

- From bottom of hood to your counter top
- For Electric Hob / Gas Hob: 750mm (or adjust based on your ceiling height)

Optional Accessories

- Charcoal Filter

Plug Used

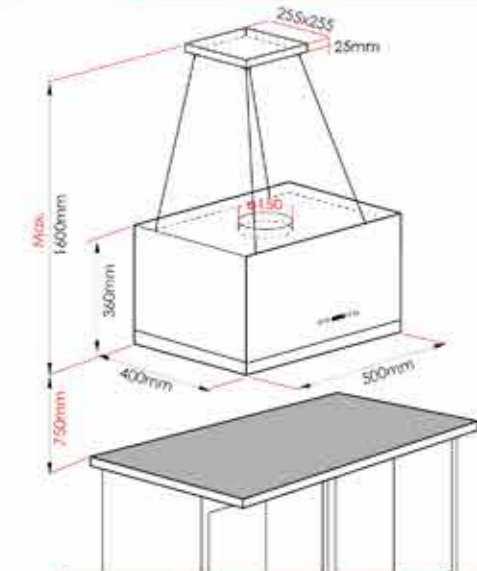
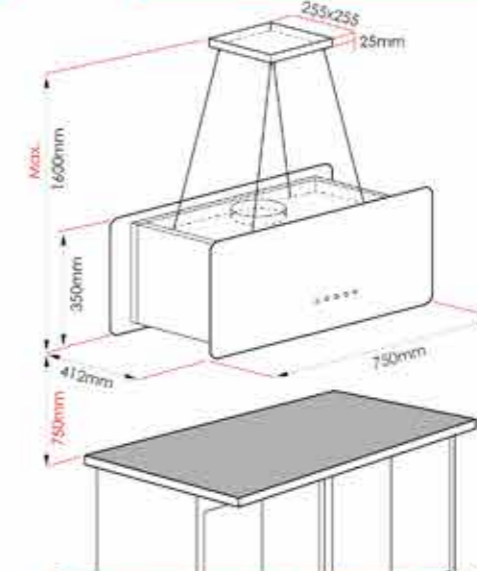
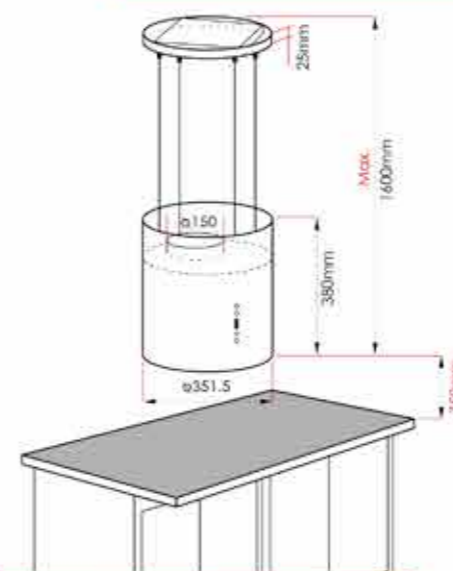


With Remote Control

SENZ BRILLO(CH188)

SENZ SERENO(CH608)

SENZ VENTE(CH328)



*Recommended height from table top 750mm

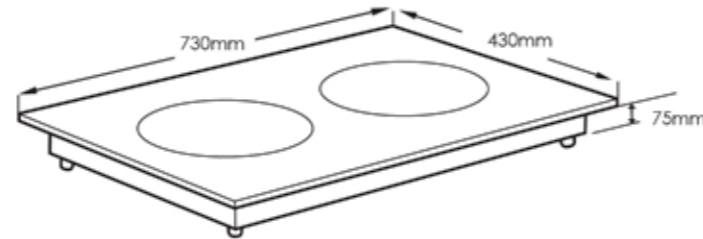
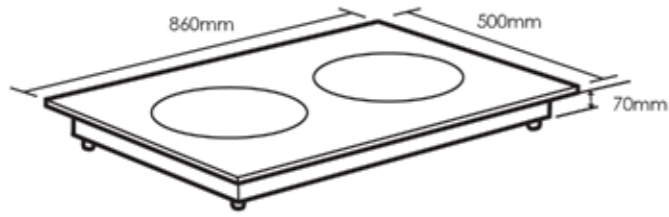
*Recommended height from table top 750mm

*Recommended height from table top 750mm

DIMENSION

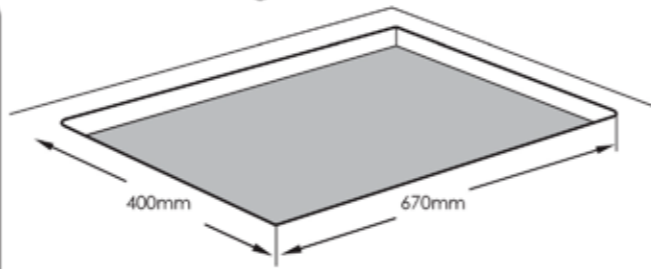
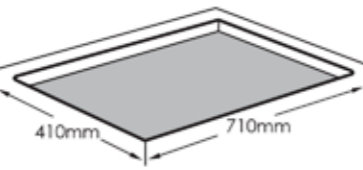
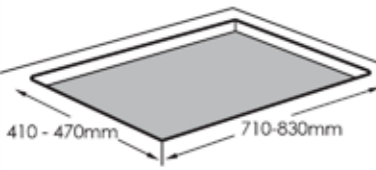
SENZ SAPPHIRE_(GS1328FL) / EMERALD_(GS1398FL-B)

SENZ RI6200i



For Existing Hole Dimension

For New House Dimension

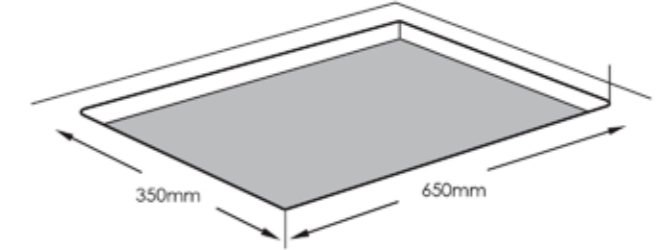
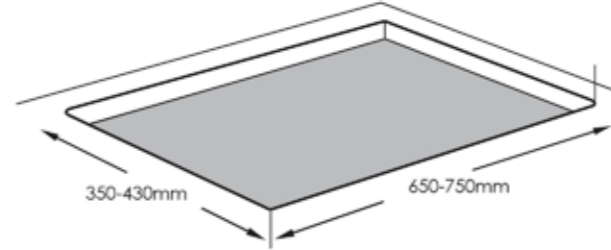
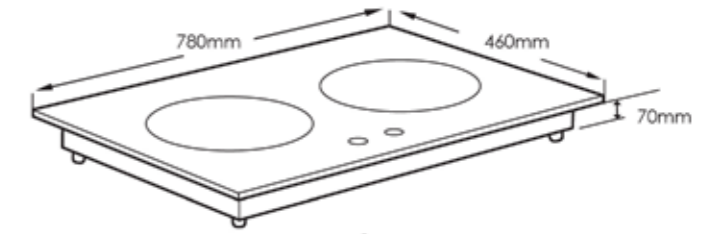
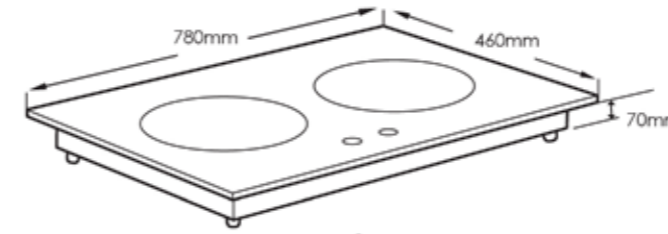


DIMENSION

SENZ GS368FL

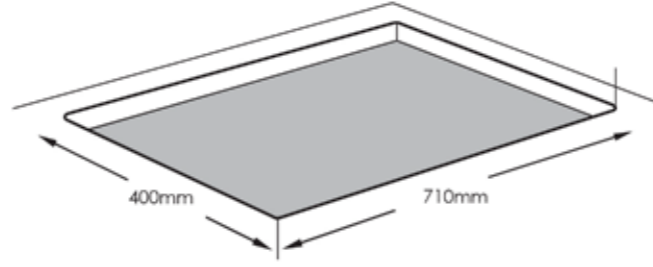
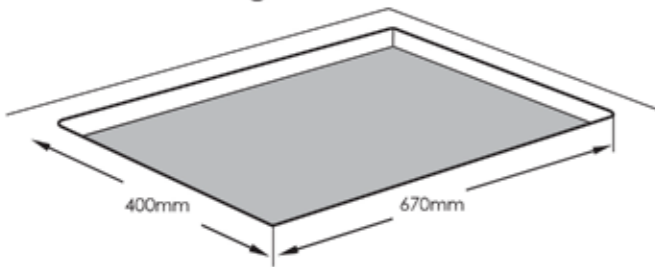
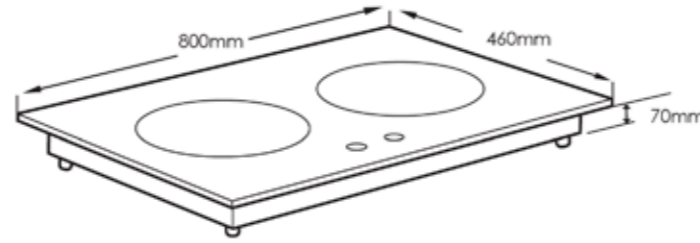
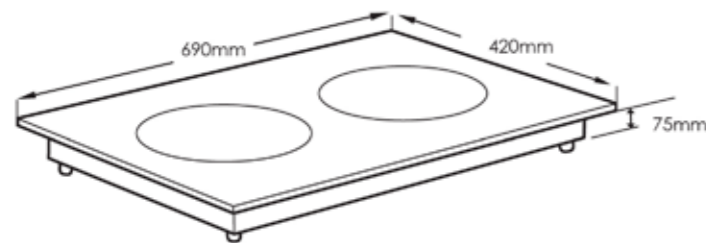
For Existing Hole Dimension

For New House Dimension



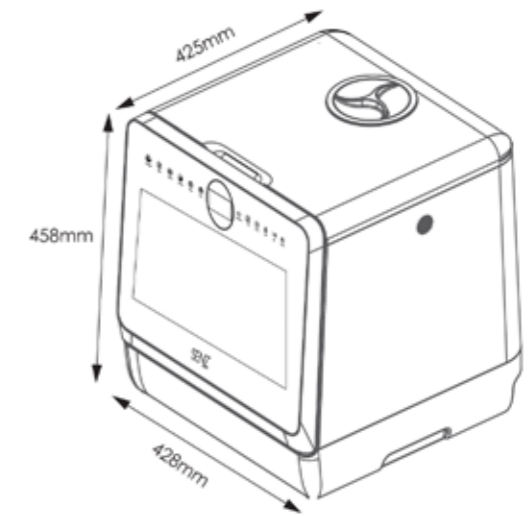
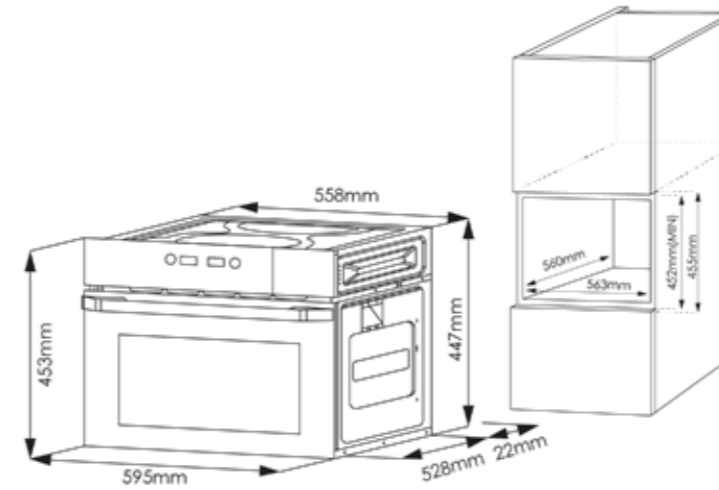
SENZ RC220FT/ RI3200i

SENZ GS388



SENZ FlexiSteamPro_(SOV3412)

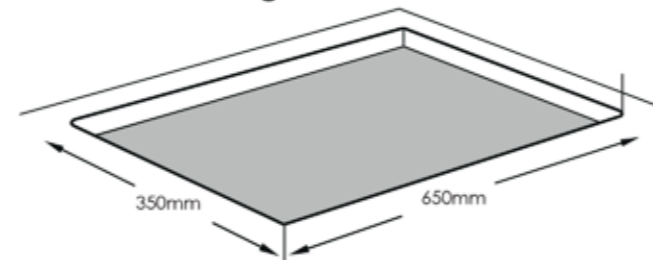
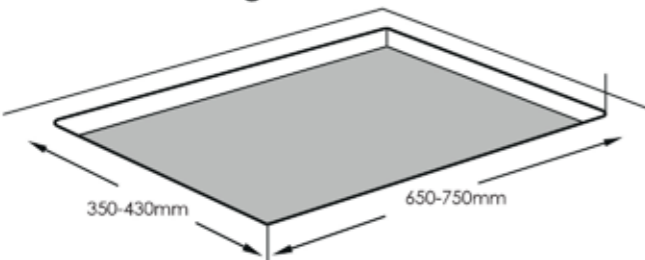
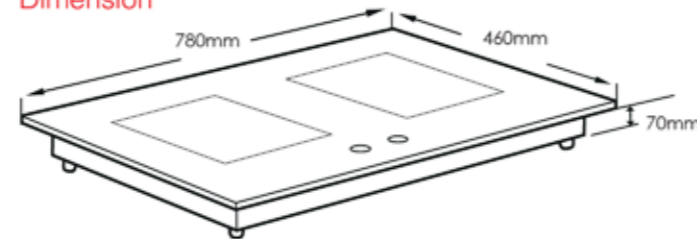
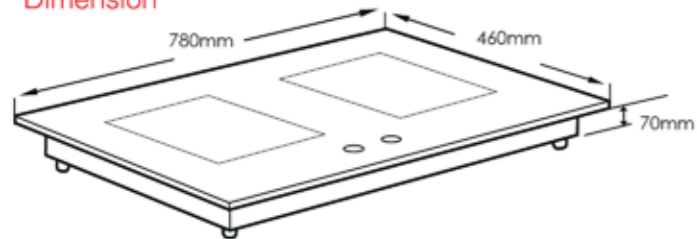
SENZ NanoWash_(DW001)



SENZ QUADRO

For Existing Hole Dimension

For New House Dimension





CLASSIC
Collection



CLASSIC NEW ENZO DC IntelSync Cooker Hood with Nano Coating Retail Price: EM: RM1,899 WM: RM1,699

Model No: SZ-CH8360DC



- Key Features**
- Latest Angled Design
 - 2000 m3/h Suction Power
 - Motion Sensor Technology
 - Equipped with Safety Explosion Proof Film
 - Heat Auto Cleaning Function
 - Equip with intelSync Technology
 - Nano Coating Body

- Recommended Installation Height**
- From bottom of hood to your counter top
 - For Electric Hob: 300mm ~ 450mm
 - For Gas Hob: 400mm ~ 500mm

- Compatible intelSync Gas Hob Model**
- SENZ RUBY: SZ-GS980FL
 - SENZ AMBER: SZ-GS6890FL

- Additional Practical Features**
- BLDC Motor
 - 5x Larger Metal Oil Cup
 - LED lighting
 - Removable Metal Filter

- Optional Accessories**
- Charcoal Filter

Plug Used

- Installation Accessories Included**
- 2 pcs Washable Metal Filter
 - 2 pcs Metal Chimney Cover
 - Stainless Steel Wall Cap
 - 3 meters Aluminum Hose (hose dimension: 180mm (7"))
 - Ducting/Coring Size: 150mm = 6 inches (includes connector to adapt from 180mm to 150mm for easy installation)



CLASSIC ENZO IntelSync Cooker Hood with Nano Coating Retail Price: EM: RM1,799 WM: RM1,599

Model No: SZ-CH8360AC



- Key Features**
- Latest Angled Design
 - 1800 m3/h Suction Power
 - Motion Sensor Technology
 - SilentAC Motor
 - Equipped with Safety Explosion Proof Film
 - Heat Auto Cleaning Function
 - Equip with intelSync Technology
 - Nano Coating Body

- Recommended Installation Height**
- From bottom of hood to your counter top
 - For Electric Hob: 300mm ~ 450mm
 - For Gas Hob: 400mm ~ 500mm

- Compatible intelSync Gas Hob Model**
- SENZ RUBY: SZ-GS980FL
 - SENZ AMBER: SZ-GS6890FL

- Optional Accessories**
- Charcoal Filter

Plug Used

- Additional Practical Features**
- 5x Larger Metal Oil Cup
 - LED lighting
 - Removable Metal Filter

- Installation Accessories Included**
- 2 pcs Washable Metal Filter
 - 2 pcs Metal Chimney Cover
 - Stainless Steel Wall Cap
 - 3 meters Aluminum Hose (hose dimension: 180mm (7"))
 - Ducting/Coring Size: 150mm = 6 inches (includes connector to adapt from 180mm to 150mm for easy installation)



CLASSIC HERMOSA Ultra Slim Heat Pro intelClean™ Cooker Hood Retail Price: EM: RM2,599 WM: RM2,399

Model No: SZ-CH8380AC

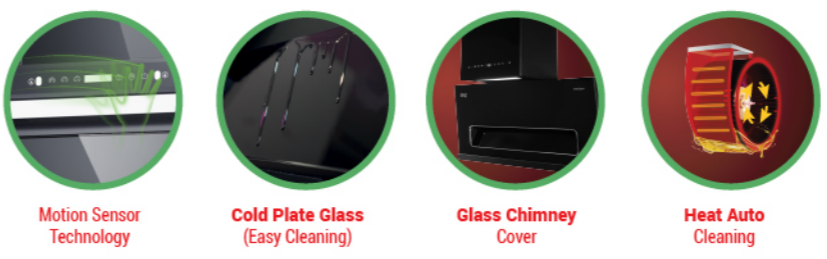


- Key Features**
- Sleek & Ultra Slim Design
 - 1950 m3/h Suction Power + Turbo Boost
 - Motion Sensor Technology
 - Heat Auto Cleaning Function

- Recommended Installation Height**
- From bottom of hood to your counter top
 - For Electric Hob / Gas Hob: 350mm ~ 400mm

- Additional Practical Features**
- 5x Larger Metal Oil Cup
 - LED lighting
 - Removable Glass Panel

- Installation Accessories Included**
- Chimney Cover
 - 1st Glass Chimney
 - 2nd Metal Chimney
 - Stainless Steel Wall Cap
 - 3 meters Aluminum Hose (hose dimension: 180mm (7"))
 - Ducting/Coring Size: 150mm = 6 inches (includes connector to adapt from 180mm to 150mm for easy installation)





LATEST
INVISIBLE
MULTIHOOD



Ordinary Slim Cooker Hood



SENZ Invisible Multihood

DESIGNED FOR THE MODERN KITCHEN

1 6mm Slim Hidden Concept

Ultra slim design blends seamlessly into your kitchen. Leaving you with an aesthetically pleasing art piece under its spotlight.



2 Stylish Touch Control

Simplistic panel design with responsive touch control adds a modern appeal to your ease of use.



3 Strong Suction Power

High-efficiency performance effectively removes any oil and odour to help minimise your kitchen cleaning chores.



4 Retractable Flip Glass Panel

Hassle-free retractable mechanism allows for easy cleaning of trapped grease while enhancing overall visual appeal.



5 3-Speeds Power Control

Different power settings to best suit various styles of cooking and ensure optimum efficiency.



THINGS NEED TO TAKE NOTE

before installing our **CH1288RC Invisible Hood**



STEP 1: If you can open a hole in your kitchen we will suggest you to **open a hole to extract the grease out.**
P.S. Hose and Wall Cap are sold separately.



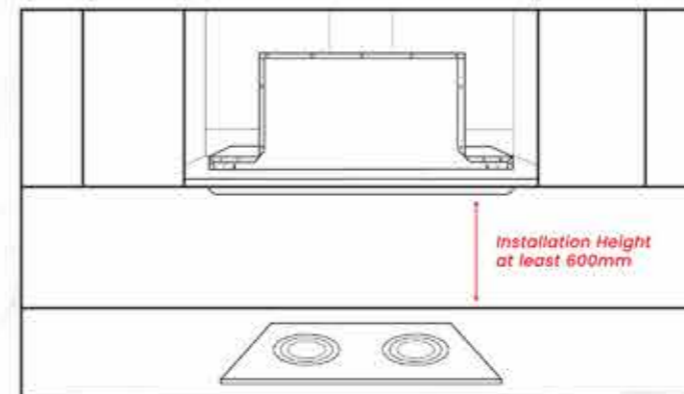
STEP 2: If you are not allowed to open a hole in your kitchen then you need to use our **recirculation system** to operate the Cooker Hood. Recirculation system consist of **Aluminium Filter and Charcoal Filter.**



STEP 3: If you are using recirculation system, please ensure that you have enough ventilation in your cabinet to **allow clean air to flow.** For example, some open ventilation holes on your cabinet door. This can also **prevent your cabinet door from vibrating** while operating the hood.



STEP 4: You can also **open a hole at the top** of your kitchen cabinet.



STEP 5: Kindly take note that the installation height between Cooker Hood and Stove, the recommended installation height is **around 600mm.**



STEP 6: To avoid the clip from breaking easily, please do not tighten it with **electric drill**; use only **screw driver** to tighten it.

CLASSIC NEW

CH1288RC Invisible Cooker Hood

Retail Price: EM: RM1,949 WM: RM1,749

Model No: SZ-CH1288RC



Recirculating System

Key Features

- Latest Invisible Design
- 1500 m³/h Suction Power
- 6mm Slim & Stylish Glass Panel

Additional Practical Features

- Modern & Stylish Design
- LED lighting

Installation Accessories Included

- 1 pcs Washable 6 Layers Aluminum Filter
- 2 pcs Charcoal Filter (for recirculating system/ductless)

**This hood needs to be installed inside the cabinet



Retractable Flip Glass Panel



Mystery Black



Completed front view with structure

Remarks: Kitchen cabinet board thickness cannot exceed 18mm in order to install this invisible hood
 Remarks: For recycle mode, please ensure there is enough capacity in the cabinet for air to flow as air that release back by the hood might cause the cabinet door to vibrate during operation. You may consult our authorized dealers or customer service for further clarification.

CLASSIC

EVO DC Heat Pro intelClean™ Cooker Hood

Retail Price: EM: RM1,999 WM: RM1,799

Model No: SZ-CH8398DC



Key Features

- Latest Hybrid (Chimney + Angled) Design
- 2000 m³/h Suction Power
- Motion Sensor Technology
- Heat Auto Cleaning Function

Additional Practical Features

- BLDC Motor
- 5x Larger Metal Oil Cup
- LED lighting
- Inner Curved Cold Plate Glass

Installation Accessories Included

- Chimney Cover
 - 1st Glass Chimney
 - 2nd Metal Chimney
- Stainless Steel Wall Cap
- 3 meters Aluminum Hose (hose dimension: 180mm (7"))
- Ducting/Coring Size: 150mm = 6 inches (includes connector to adapt from 180mm to 150mm for easy installation)

Recommended Installation Height

- From bottom of hood to your counter top
 - For Electric Hob: 300mm ~ 450mm
 - For Gas Hob: 400mm ~ 500mm

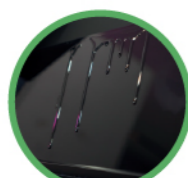
Optional Accessories

- Charcoal Filter

Plug Used



Motion Sensor Technology



Cold Plate Glass (Easy Cleaning)



DC Motor



Noise Level as Low as 45db



Heat Auto Cleaning

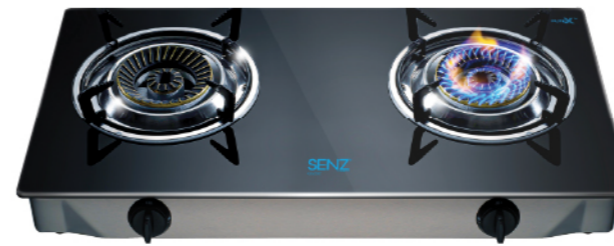
Installation fees is NOT included for all the price stated above & price is subject to change without prior notice

CLASSIC NEW

GS202 Table Top Spiral Flame Gas Stove With Safety Valve

Retail Price: EM: RM549 WM: RM499

Model No: SZ-GS202



Key Features

- Safety Valve
- Portable Safety Valve Gas Stove
- Spiral Flame Burner Design
- 4.5kw/h Heat Intensity
- 10 Seconds Auto Cut-Off
- Gloss-Finished Glass

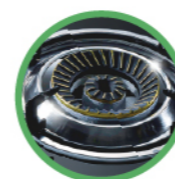
Additional Practical Features

- Removable Burner Cap

Installation & Compatibility

- Gas Type - LPG
- Gas Pressure - 2800 kPa
- Installation Type - Free Standing / Portable Only

CAUTION : Please ensure that the burner cap is placed securely and evenly to prevent any gas leaks and potential fire hazards.
 OPERATION : 1 - Pressed and hold the knob for 3- 5 seconds before turning it.
 2 - After flame ignites, keep pressing the knob for 5 more seconds before releasing it to prevent the flame from going out.
 OPERATION : When either of the knobs is pressed, both ignition pins will light up, indicating that the gas is ready to ignite. However, the gas supply for each burner is separate, so only the burner that has been turned on will ignite and produce a flame.



Spiral Flame Burner Design



Safety Valve Prevent an explosion when unit within 10 seconds



Futex Glass Heat Resistance Tempered Glass

CAUTION : Please ensure that the burner cap is placed securely and evenly to prevent any gas leaks and potential fire hazards.

CLASSIC NEW

GS303 Table Top Linear Flame Gas Stove With Safety Valve

Retail Price: EM: RM549 WM: RM499

Model No: SZ-GS303



Key Features

- Safety Valve
- Portable Safety Valve Gas Stove
- Linear Flame Burner Design
- 4.5kw/h Heat Intensity
- 10 Seconds Auto Cut-Off
- Gloss-Finished Glass

Additional Practical Features

- Removable Burner Cap

Installation & Compatibility

- Gas Type - LPG
- Gas Pressure - 2800 kPa
- Installation Type - Free Standing / Portable Only

CAUTION : Please ensure that the burner cap is placed securely and evenly to prevent any gas leaks and potential fire hazards.
 OPERATION : 1 - Pressed and hold the knob for 3- 5 seconds before turning it.
 2 - After flame ignites, keep pressing the knob for 5 more seconds before releasing it to prevent the flame from going out.
 OPERATION : When either of the knobs is pressed, both ignition pins will light up, indicating that the gas is ready to ignite. However, the gas supply for each burner is separate, so only the burner that has been turned on will ignite and produce a flame.



Linear Flame Burner Design

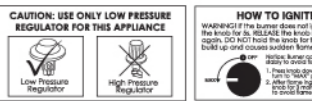
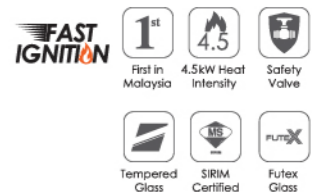
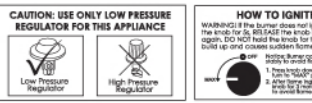


Safety Valve Prevent an explosion when unit within 10 seconds



Futex Glass Heat Resistance Tempered Glass

Installation fees is NOT included for all the price stated above & price is subject to change without prior notice



RUBY

intelSync Twin Burner Gas Stove with Nano Coating



CLASSIC NEW

RUBY intelSync Twin Burner Gas Stove with Nano Coating
Model No: SZ-GS980FL

Retail Price: EM: RM1,199 WM: RM999

Key Features

- Equip with intelSync Technology
- -Smart AI ON / OFF Function
- 5.0kw/h Heat Intensity
- Safety Valve
- 10 Seconds Auto Cut-Off
- NANO Coating Glass

Additional Practical Features

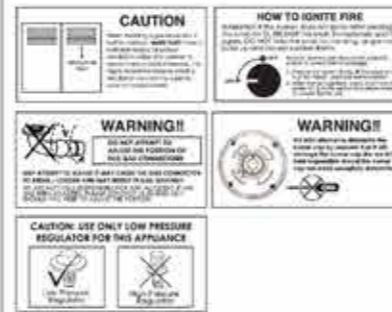
- Battery Operated Auto-ignition
- Flexible Base Design
- Removable Burner Cap
- Round Wok Rack Design

Compatible intelSync Cooker Hood Model

- SENZ ENZO: SZ-CH8360AC
- SENZ ENZO DC: SZ-CH8360DC

Installation & Compatibility

- Gas Type - LPG
- Gas Pressure - 2800 kPa
- Glass Size - 780mm (W) x 460mm (L)
- Built-in Hole Dimension
- For New House: 650mm (W) x 350mm (L)
- For Existing Hole: 650-750mm (W) x 350-430mm (L)
- Installation Type - Free Standing or Built-in



CAUTION Please ensure that the burner cap is placed securely and evenly to prevent any gas leaks and potential fire hazards.
OPERATION 1 - Pressed and hold the knob for 3 - 5 seconds before turning it.
2 - After flame ignites, keep pressing the knob for 5 more seconds before releasing it to prevent the flame from going out.
OPERATION When either of the knobs is pressed, both ignition pins will light up, indicating that the gas is ready to ignite. However, the gas supply for each burner is separate, so only the burner that has been turned on will ignite and produce a flame.



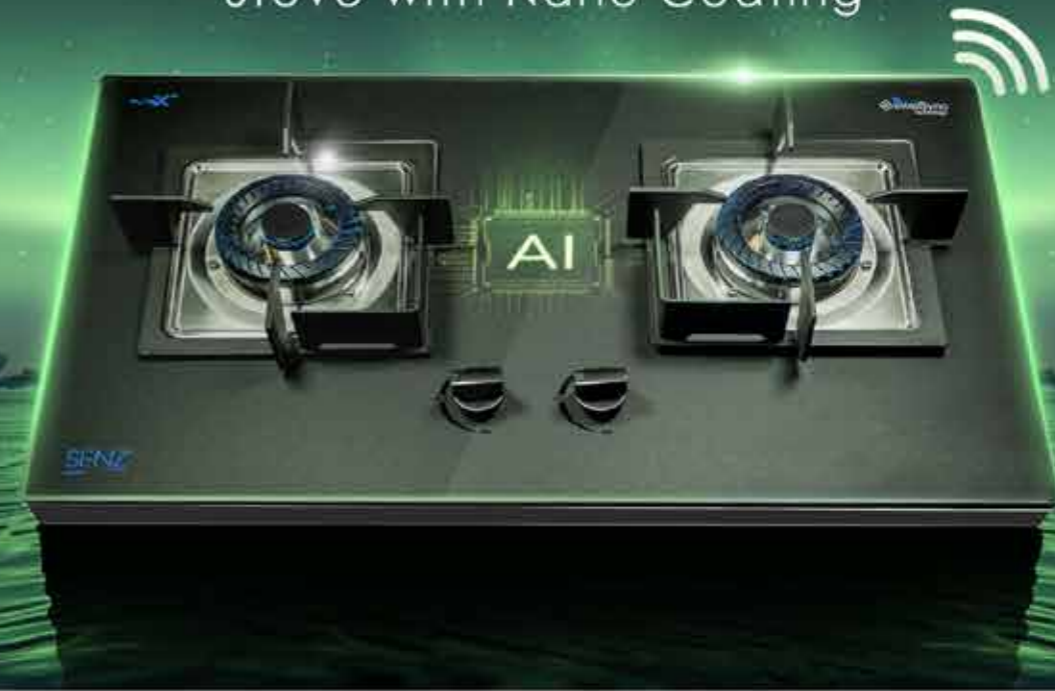
Special Wok Design
To reduce heat during cooking

Nano Coating

Futex Glass
Heat resistance tempered glass

AMBER

intelSync Twin Burner Gas Stove with Nano Coating



CLASSIC NEW

AMBER intelSync Twin Burner Gas Stove with Nano Coating
Model No: SZ-GS6890FL

Retail Price: EM: RM1,199 WM: RM999

Key Features

- Equip with intelSync Technology
- -Smart AI ON / OFF Function
- 5.0kw/h Heat Intensity
- Safety Valve
- 10 Seconds Auto Cut-Off
- NANO Coating Glass

Additional Practical Features

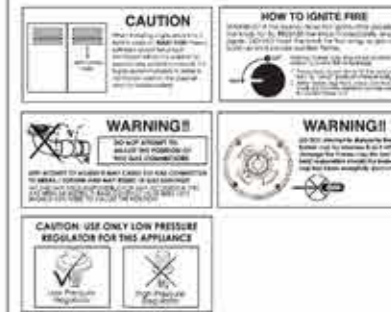
- Battery Operated Auto-ignition
- Flexible Base Design
- Removable Burner Cap
- Square Wok Rack Design

Compatible intelSync Cooker Hood Model

- SENZ ENZO: SZ-CH8360AC
- SENZ ENZO DC: SZ-CH8360DC

Installation & Compatibility

- Gas Type - LPG
- Gas Pressure - 2800 kPa
- Glass Size - 780mm (W) x 460mm (L)
- Built-in Hole Dimension
- For New House: 650mm (W) x 350mm (L)
- For Existing Hole: 650-750mm (W) x 350-430mm (L)
- Installation Type - Free Standing or Built-in



CAUTION Please ensure that the burner cap is placed securely and evenly to prevent any gas leaks and potential fire hazards.
OPERATION 1 - Pressed and hold the knob for 3 - 5 seconds before turning it.
2 - After flame ignites, keep pressing the knob for 5 more seconds before releasing it to prevent the flame from going out.
OPERATION When either of the knobs is pressed, both ignition pins will light up, indicating that the gas is ready to ignite. However, the gas supply for each burner is separate, so only the burner that has been turned on will ignite and produce a flame.



Special Wok Design
To reduce heat during cooking

Nano Coating

Futex Glass
Heat resistance tempered glass

OV7529 9F Digital MultiOven

Knob + Electronic Design

72 Liters

Removable Inner Rack for Easy Cleaning



9 Cooking Functions



CLASSIC NEW

OV7529-9F Digital MultiOven

Retail Price: EM: RM2,299 WM: RM2,099

Model No: SZ-OV7529

Highlights:

- 9 Cooking Functions
- 72 Litres Capacity
- Knob Design + Electronic
- 24 Hours Digital Time Display

Additional Practical Features

- Triple Glazed Removable Tempered Glass
- Removable Door
- Removable Inner Rack

Installation & Compatibility

- Voltage/Frequency – 220-240V/50-60Hz
- Power Consumption – 2800W
- Interior Material – Iron Coating Enamel
- Installation Type – Built-In

Accessories Included

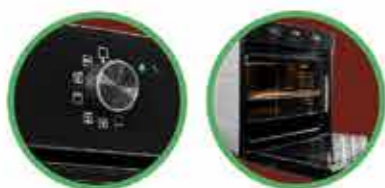
- Baking Tray x 1
- Wire Rack x 1
- Inner Rack x2

Plug Used:

- Direct Built-in wiring



Remarks: There will be a variance of +20°C from the temperature set during operation.
*Purchase with purchase (PWP) is applicable with purchase of Multihood + Multicooker package only



Knob + Electronic Design

Removable Inner Rack for Easy Cleaning



CLASSIC NEW

MW259 Fully Digital Built-in Microwave Oven

Retail Price: EM: RM1,699 WM: RM1,499

Model No:SZ-MW259



Highlights:

- 25 Litres Capacity
- 8 Auto Menu
Potato, Pasta, Pizza, Popcorn, Vege, Bever, Meat, Fish
- 8 Auto Menu
– Microwave Function
– Auto Weight Defrost
– Digital Clock
– Auto Cooking
– Grill(G)+Microwave
– Single Button Heating
– Express Cooking
– Child Safety Lock
– Timer Function

Installation & Compatibility

- Voltage/Frequency – 240V/50Hz
- Power Consumption – 1320W
- Interior Material – Stainless Steel SUS304
- Installation Type – Built-In

Accessories Included:

- Grill Rack x1
- Glass tray x1
- Roller Ring x1

Plug Used:

- 13amp



Remarks: There will be a variance of +20°C from the temperature set during operation.
*Purchase with purchase (PWP) is applicable with purchase of Multihood + Multicooker package only

EcoPro

FULLY DIGITAL WATER HEATER

HORIZON



VERTIK



DIGITAL VALVE

HORIZON VERTIK



TITANIUM

TITANIUM



Say Goodbye!!
to sudden bursts
of **HOT** water!

Experience the next level of safety, the 1st water heater in Malaysia that come with digital valve.
Ensure a steady and safe water temperature, making of ideal for children and elder users.

HIGHLIGHT



Digital Valve – No Heat Residue
Say goodbye to sudden bursts of hot water! EcoPro ensures a steady and safe water temperature, making it ideal for children and elderly users.



Overheat Protection
To prolong the lifespan of the heater and protect internal components, EcoPro stops the pump and heater when overheating is detected.



Thermostat Protection
For added durability, EcoPro automatically shuts off the heating tank when it reaches 85°C, protecting the heating element and enhancing performance.



More Powerful DC Pump
For inverter DC pump models – stronger water flow, stable pressure.



Anti-Scalding Technology
Worried about accidental burns? EcoPro automatically cuts off the heating element when the water temperature reaches 45°C, ensuring a safe shower experience.



Earth Line Indicator
– Auto Earth Wire Detection with Alarm (Safety first)! EcoPro comes with a built-in alarm system that alerts you in case of faulty wiring, providing an extra layer of protection.



Precise Temperature Display
Monitor your water temperature with absolute accuracy, ensuring the perfect shower every time.



One-to-One Exchange Warranty*
We stand by the quality of our product! Enjoy hassle-free replacement for total peace of mind.



PRODUCT LIABILITY COVERAGE

Our SENZ EcoPro products are backed by product liability coverage of up to RM1,000,000.

EcoPro Fully Digital DC Pump Instant Water Heater 4.5 kW C/W Rain Shower



HORIZON: SZ-WH1018-DGT

VERTIK: SZ-WH2028i-DGT

DIGITAL VALVE

Highlight

- Water Heater Design: Horizon / Vertik
- Power Rating : 4.5kW, 240V 50/60Hz
- Heater Type: Digital Valve
- DC Pump
- Min. Water Flow Rate : 2 litre/min
- Min. Water Pressure : 20kPa (0.2bar / 2.9psi)
- Max. Water Pressure : 400Kpa (4 bar / 58psi)
- Heater Dimension (mm) : 380 (H) x 230 (W) x 75 (D)
- Heater Nett Weight : Horizon Pump ~ 2.09kg
- Heater Nett Weight : Vertik Pump ~ 2.14kg
- Recommended installation height from bottom of heater to floor: 1.5m

Accessories Included:

- Rain Shower x1
- Rail Bar x1

Plug Used:

- Direct Built-in wiring

Retail Price: EM: RM1,199 WM: RM 999



HORIZON: SZ-WH1018-MSIL

HORIZON: SZ-WH1018-MT

HORIZON: SZ-WH1018-MBLA

HORIZON: SZ-WH1018-MBLU



VERTIK: SZ-WH2028-MSIL

VERTIK: SZ-WH2028-MT

VERTIK: SZ-WH2028-MBLA

VERTIK: SZ-WH2028-MRP

MANUAL VALVE

Highlight

- Water Heater Design: Horizon / Vertik
- Power Rating : 4.5kW, 240V 50/60Hz
- Heater Type: Manual Valve
- DC Pump
- Min. Water Flow Rate : 2 litre/min
- Min. Water Pressure : 20kPa (0.2bar / 2.9psi)
- Max. Water Pressure : 400Kpa (4 bar / 58psi)
- Heater Dimension (mm) : 380 (H) x 230 (W) x 75 (D)
- Heater Nett Weight : Horizon Pump ~ 1.98kg
- Heater Nett Weight : Vertik Pump ~ 2.02kg
- Recommended installation height from bottom of heater to floor: 1.5m

Accessories Included:

- Rain Shower x1
- Rail Bar x1

Plug Used:

- Direct Built-in wiring

Retail Price: EM: RM 999 WM: RM 799



Fully Digital System

Precise Temperature Display

Anti-Scalding Technology

Overheat Protection

Thermostat Protection

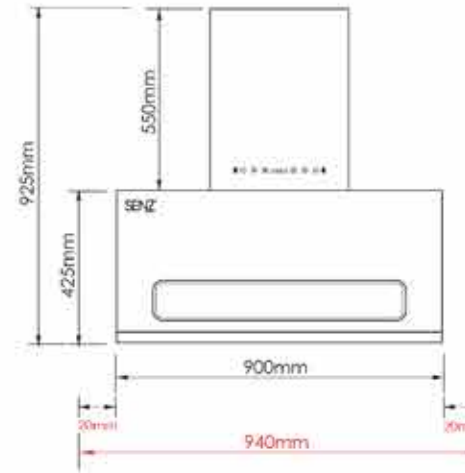
Auto Earth Wire Detection with Alarm

WARNING!

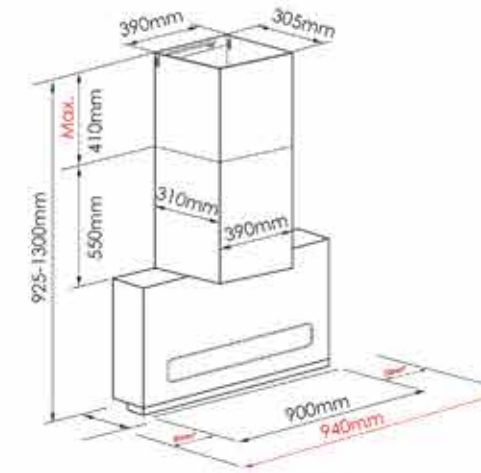
- Ensure water heater is connected to earth wire!! Failure to do so might result in electric shock!!
- For Digital Valve (WH1018i / WH2028i) model, water will not flow if there is no electricity supply, as the valve requires power to operate.

DIMENSION

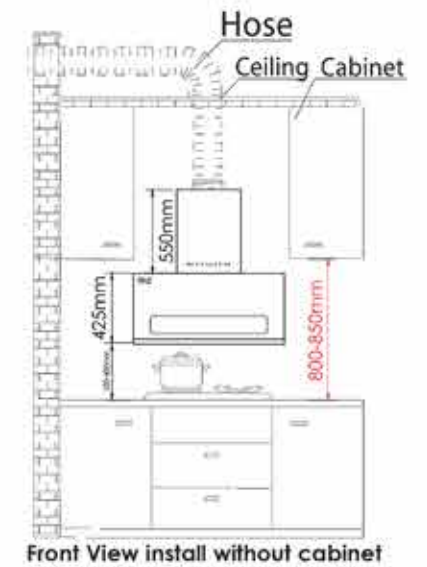
SENZ HERMOSA (CH8380AC)



*Gap for dismantle of glass panel

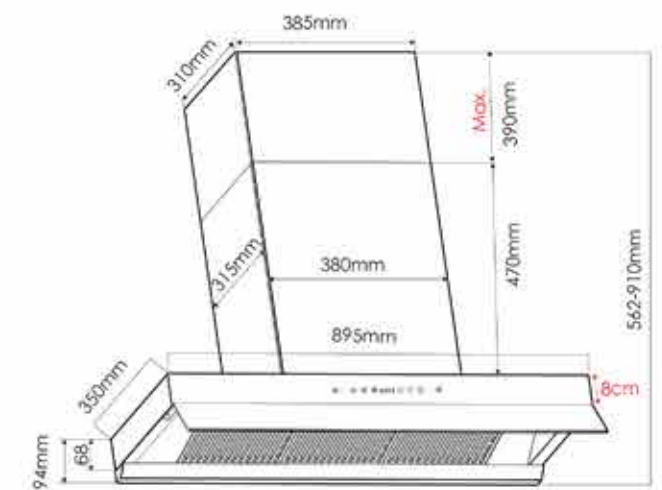
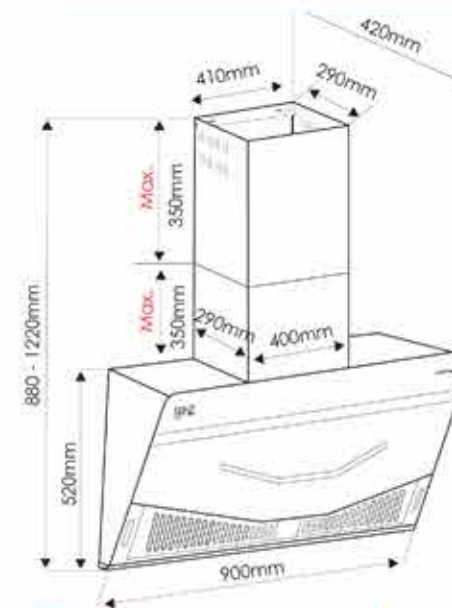


*Gap for dismantle of glass panel

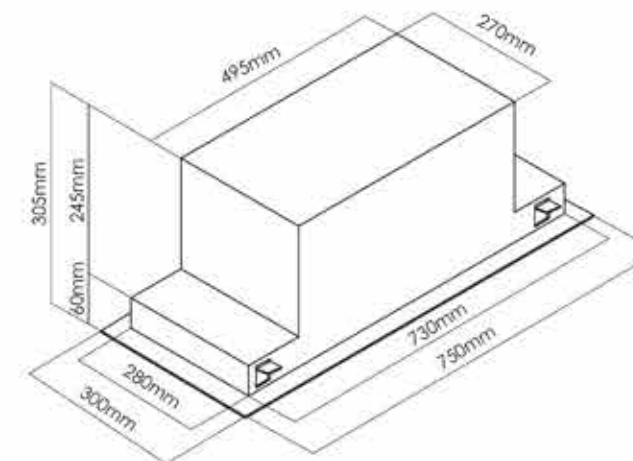


Front View install without cabinet

SENZ ENZO (CH8360AC)



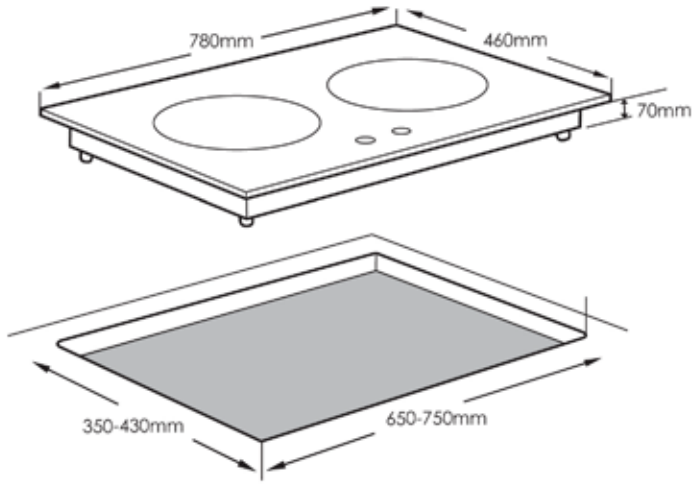
SENZ CH1288RC



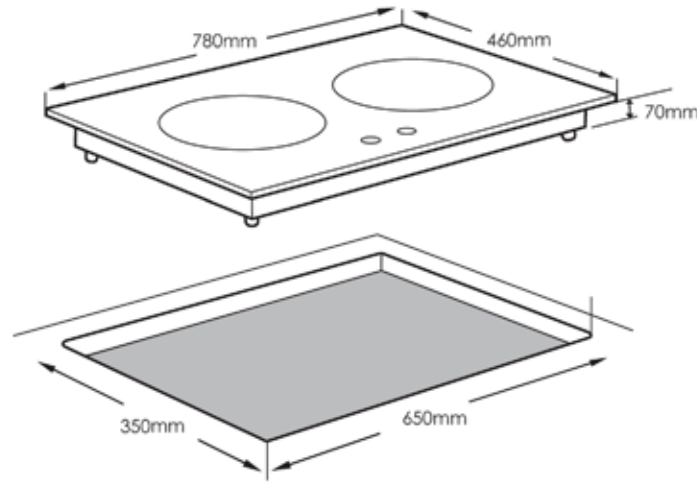
DIMENSION

SENZ RUBY (GS980FL)

For Existing Hole
Dimension

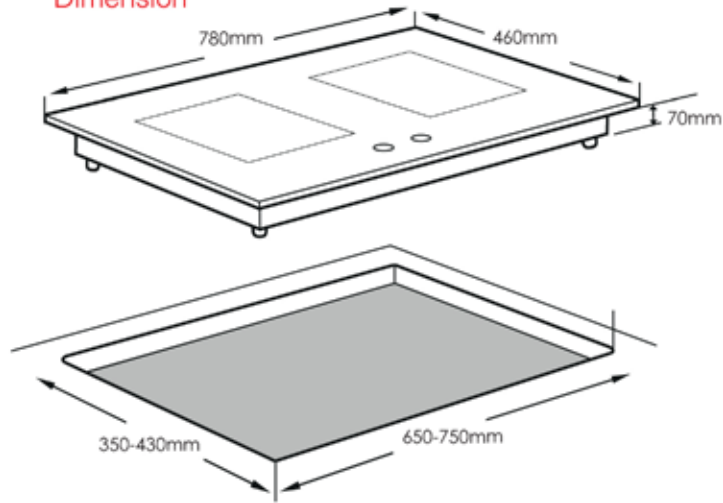


For New House
Dimension

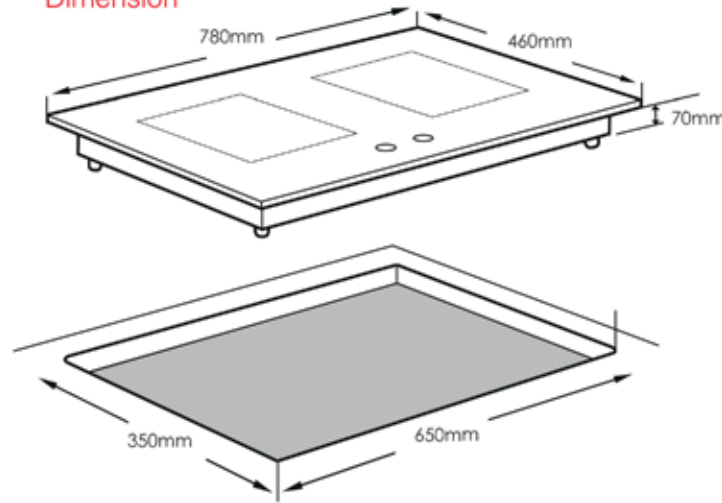


SENZ AMBER (GS6890FL)

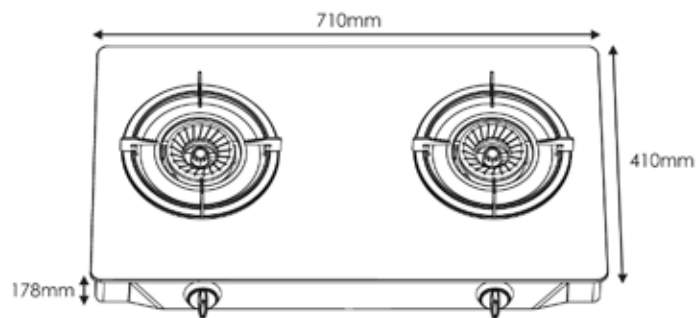
For Existing Hole
Dimension



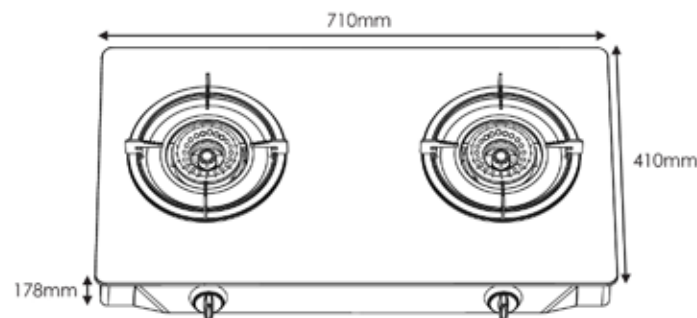
For New House
Dimension



SENZ GS202

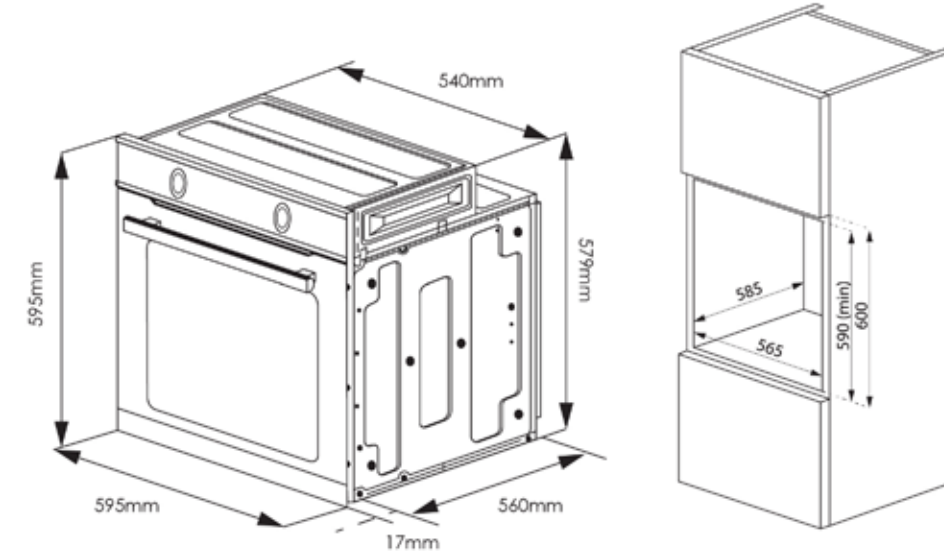


SENZ GS303

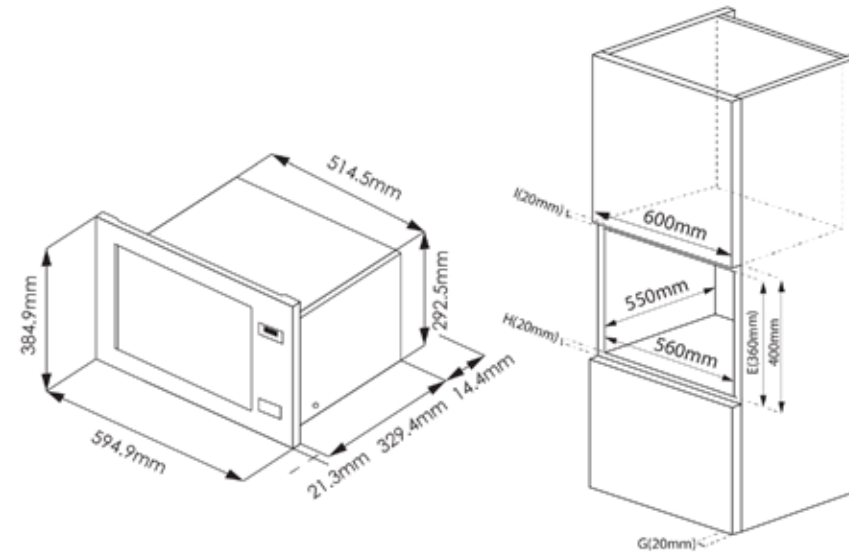


DIMENSION

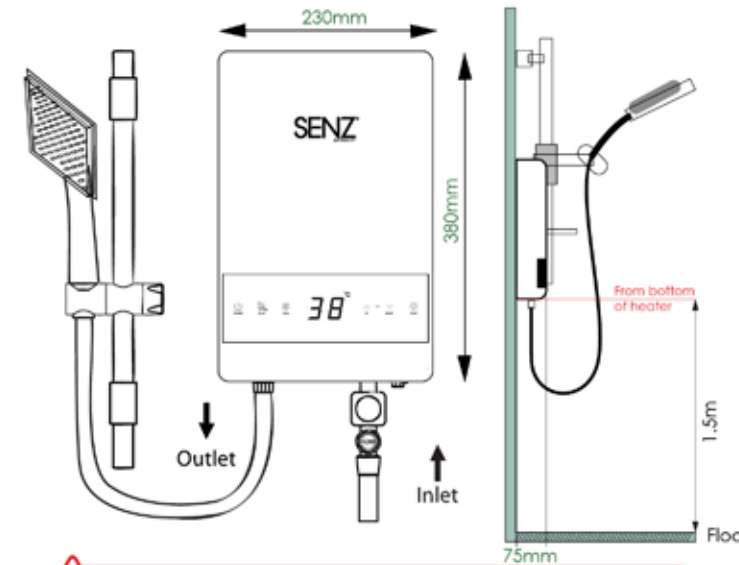
SENZ OV7529



SENZ MW259

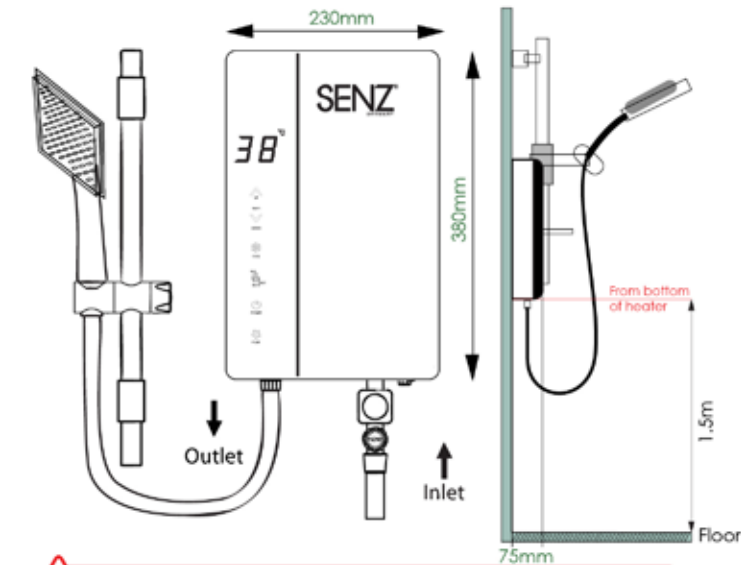


SENZ EcoPro HORIZON



! Ensure water heater is connected to earth wire!! Failure to do so might result in electric shock!!

SENZ EcoPro VERTIK



! Ensure water heater is connected to earth wire!! Failure to do so might result in electric shock!!

GAS HOB INSTALLATION SAFETY GUIDE

1 DO NOT ADJUST THE POSITION OF GAS CONNECTOR



WARNING!!

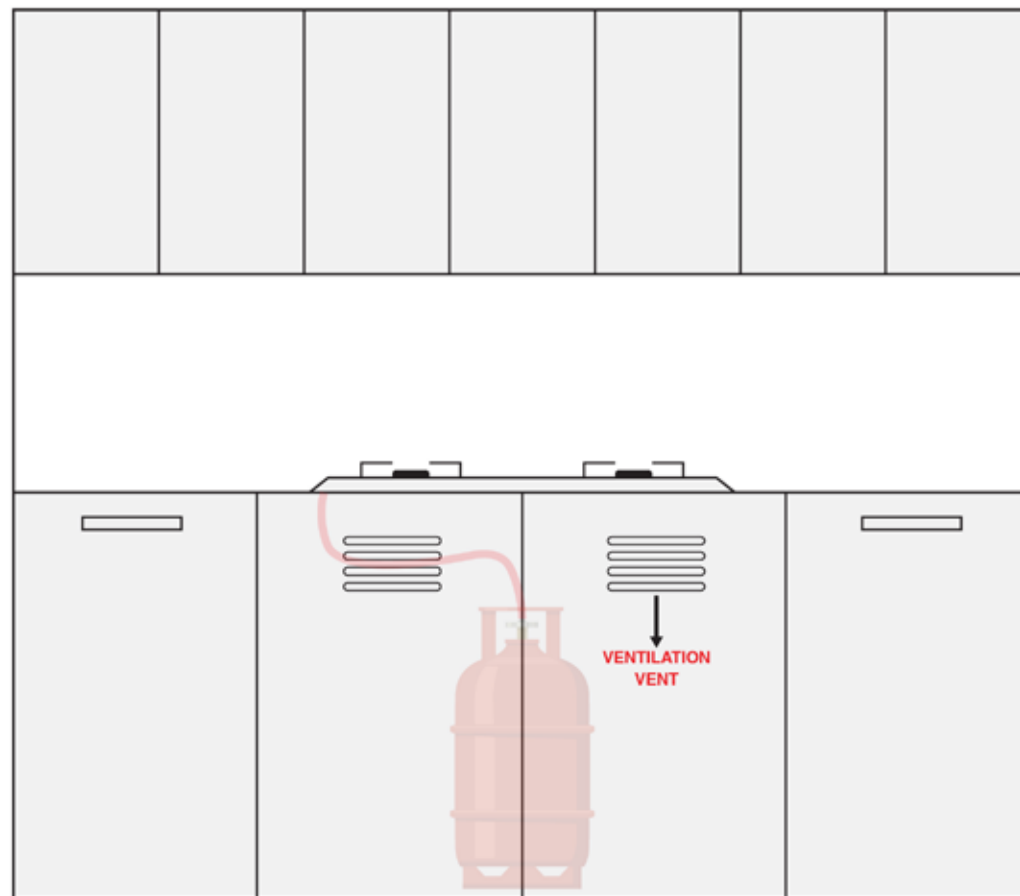
ANY ATTEMPT TO ADJUST IT MAY CAUSE THE GAS CONNECTOR TO BREAK / LOOSEN AND MAY RESULT IN GAS LEAKING!!

WE ARE NOT HELD RESPONSIBLE FOR ANY ACCIDENT IF THIS HAS BEEN ADJUSTED. PLEASE CONTACT US **03-8052 1011** SHOULD YOU NEED TO ADJUST THE POSITION.

2 USE ONLY LOW PRESSURE REGULATOR (LPG)

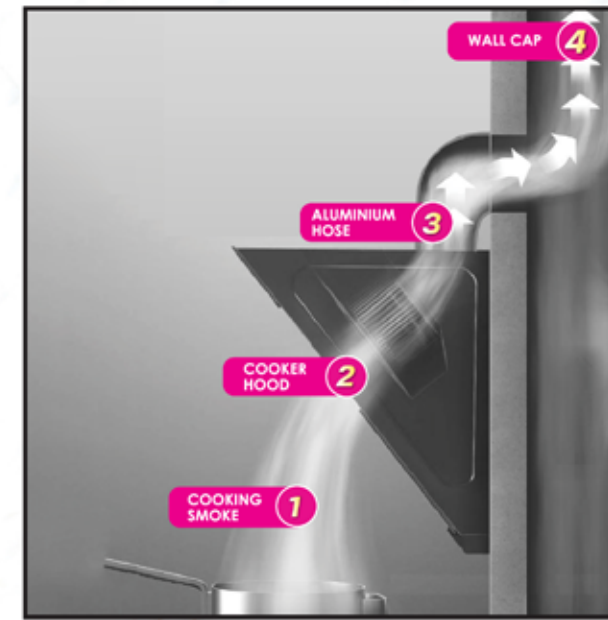


3 GAS HOB INSTALLED WITHIN A CABINET



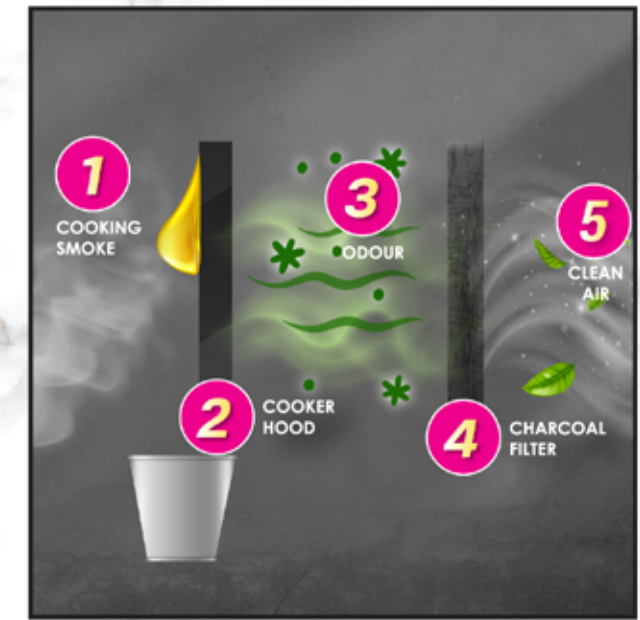
When installing a gas stove into a built-in cabinet, **MAKE SURE** there is sufficient space for proper ventilation within the cabinet to prevent any potential hazards. It is highly recommended to install a ventilation vent on the cabinet door for added safety.

Ducting Hood



If you can make a coring hole in your kitchen wall, we will suggest you choose to **open hole to install aluminium hose** for extracting grease from your house

Ductless Hood



If you not able to make a coring hole in your kitchen wall, you'll need to install the hood as **recirculation system**. It consists of **charcoal filter** that function to **filter the odour and release clean air back in your house**.

WHEN INSTALLING A RECIRCULATING HOOD

note to prevent cabinet door vibrations while operating the hood

! To ensure that you have enough ventilation in your cabinet to allow clean air to flow



Suggestion 1:
Open a ventilation hole on your cabinet door.



Suggestion 2:
Open a hole at inside and the top of your kitchen cabinet.

SPECIAL ACCESSORIES :



HONEYCOMB CHARCOAL FILTER

Compatible for all SENZ hood model including ducting hood

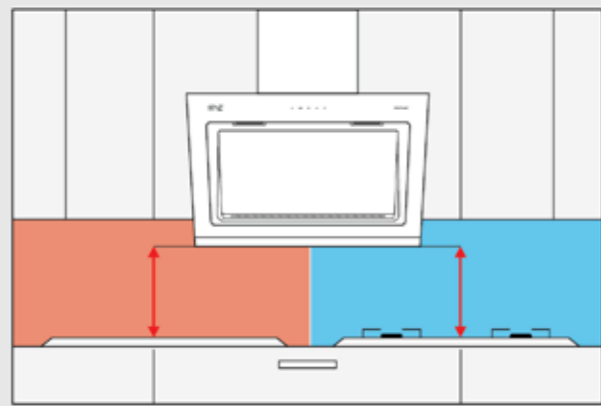
(except model: SZ-CH1288RC, SZ-CH336iAC-G, SZ-CH2898DC)

****Install the honeycomb charcoal filter above the air outlet of your cooker hood**

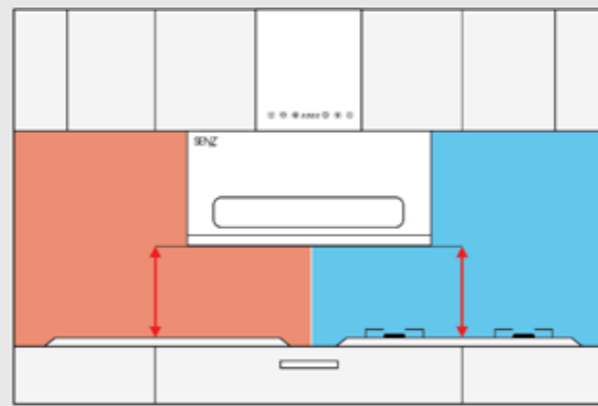
RECOMMENDED HOOD INSTALLATION HEIGHT

FROM BOTTOM OF YOUR COOKER HOOD TO YOUR TABLE TOP

1 ANGLED/HERMOSA/ZAFFIRO COOKER HOOD DESIGN

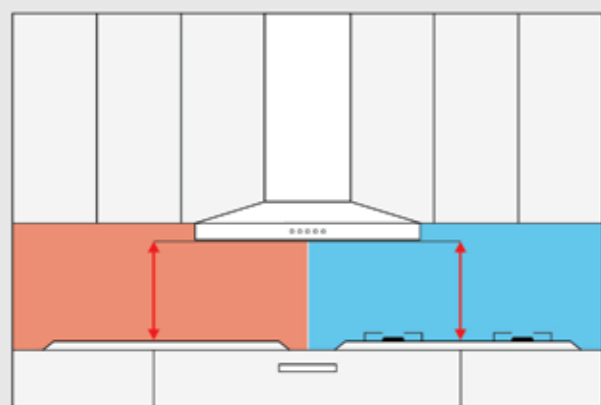


- Angled Cooker Hood with Electric Stove at least 300 - 450mm
- Angled Cooker Hood with Gas Stove at least 400 - 500mm

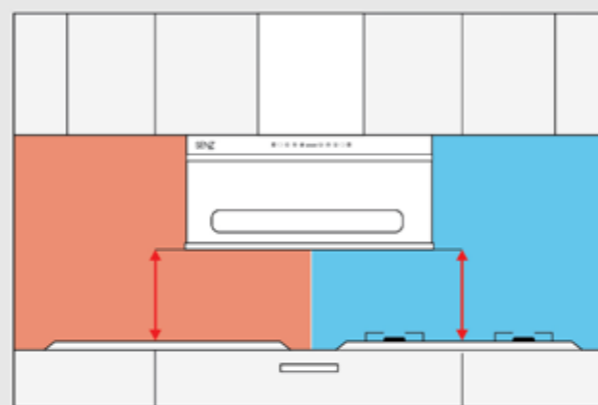


- Hermosa / Zaffiro Cooker Hood with Electric Stove at least 350 - 400mm
- Hermosa / Zaffiro Cooker Hood with Gas Stove at least 350 - 400mm

2 NOVA / BONITA / INVISIBLE / L SHAPE COOKER HOOD DESIGN

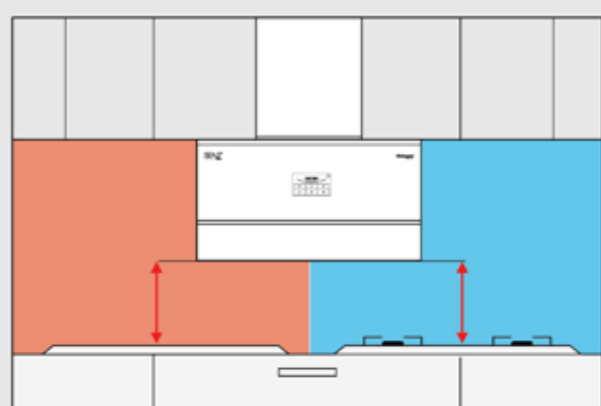


- Nova / Bonita / Invisible Cooker Hood with Electric Stove at least 600mm
- Nova / Bonita / Invisible Cooker Hood with Gas Stove at least 600mm



- L SHAPE Cooker Hood with Electric Stove at least 300 - 450mm
- L SHAPE Cooker Hood with Gas Stove at least 400 - 500mm

3 ESSLA / INOVA COOKER HOOD



- Essla Cooker Hood with Electric Stove at least 300 - 450mm
- Essla Cooker Hood with Gas Stove at least 300 - 450mm



- Inova Cooker Hood with Electric Stove at least 400 - 450mm
- Inova Cooker Hood with Gas Stove at least 400 - 450mm

Customer satisfaction is **SENZ's No.1 priority!**

Here's what some happy customers are saying about SENZ products!



SENZ
GERMANY
COOKING IN STYLE

Roszilah Embong
Kajang, Selangor

★★★★★
I have been using the Senz Double Ceramic Multicooker for 12 years and it still functions well. It's worth it and makes my family happy. The best senz product quality and no.1. to those who choose a modern and up-to-date lifestyle, senz products are the right choice.

Charlie Chan
Iskandar Puteri, Johor

★★★★★
I'm very happy and satisfied with the after sales service. Thank you.

Gunaraj Vangadajalpathy
Port Dickson, Negeri Sembilan

★★★★★
Good customer service and fast response from service technician

chng alison
Bayan Lepas, Pulau Pinang

★★★★★
I am very impressed with prompt response when consulting about doubts on the function . It is a 6-star customer service



PRODUCTS
UPDATED
JUNE 2026

8 REASON WHY CUSTOMERS CHOOSE US

1. 16 Years of Expertise
2. The Only Kitchen Appliance Brand with Over 500,000 Social Media Followers
3. Over 1,000 Five-Star Google Reviews
4. Award-Winning Brand
5. Exclusive QR Code & YouTube Tutorials
6. Fast & Professional After-Sales Service
7. A Wide Range of Products for Every Budget
8. Designed for Malaysian

Award & Recognitions :



SENZ Marketing (M) Sdn Bhd 880141-K

SENZ HQ Showroom & Warehouse

No. 23 Jalan TPP 3, Taman Perindustrian Putra,
Puchong, Selangor Darul Ihsan, Malaysia

General Enquires - WhatsApp

- EN & BM Speaking Officer Assistance : **6019-9689226**
- Chinese Speaking Officer Assistance : **6019-6729226**

SENZ Authorized Dealer :



E-CATALOGUE



EGQ SIRIM

Suruhanjaya Tenaga

Tri-Ringz
Technology

intelSync
Technology



senz.malaysia